

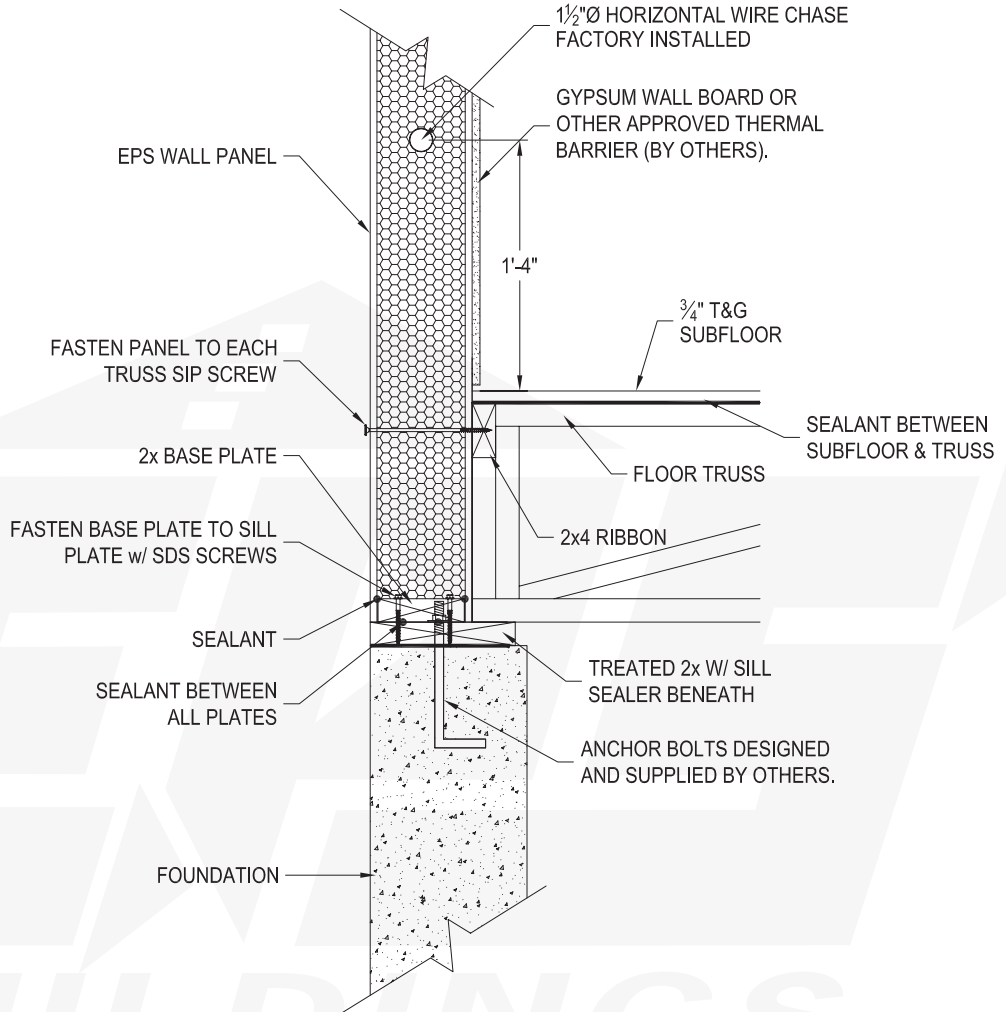
Table of Contents – Construction Details

Description	Detail #	Page #
Wall Base Detail		
Panels past		
Panel past/floor truss / concrete	PP1	39
Panel past/floor truss parallel / concrete	PP2	40
Panel past/floor truss / foundation panel.....	PP3	41
Panel past/floor truss parallel / foundation panel	PP4	42
Panel/hanging floor truss / panel	PHF1	43
Panel/floor truss parallel / panel	PHF2	44
Conventional framed		
Panel/typical floor truss / concrete.....	PF1	45
Panel/typical floor truss parallel / concrete	PF2	46
Panel/typical floor truss / foundation panel.....	PF3	47
Panel/typical floor truss parallel / foundation panel	PF4	48
Panel/typical floor truss / panel.....	PSF1	49
Panel/typical floor truss parallel / panel	PSF2	50
Slab		
Panel on concrete / single treated plate.....	PC1	51
Panel on concrete	PC2	52
Panel on concrete	PC3	53
SIP floor		
Floor panel / concrete.....	FP1	54
Floor panel / beam	FP2	55
Splines		
Block spline assembly.....	SP1	56
Surface spline assembly.....	SP2	57
Double 2x4 spline assembly.....	SP3	58
Lumber spline		
Double lumber spline assembly	SP4	59
Triple lumber spline assembly	SP5	60
Foundation spline assembly.....	SP6	61
I-Joist roof spline.....	SP7	62
Wall Assemblies		
Typical wall / double top plate	WA1	63
Typical wall / double beveled top plate	WA2	64
Typical foundation panel	WA3	65
Wall Corner		
Butt Corner		
Corner detail.....	CD1	66
Corner detail (standard)	CD2	67

Table of Contents – Construction Details

Description	Detail #	Page #
Fly-By Corner		
Foundation corner detail	CD3	68
Foundation corner detail (standard)	CD4	69
Roof Panel Eave details		
Double top plate / square cut eave / rafter past.....	RP1	70
Double top plate / beveled blocking / square cut eave.....	RP2	71
Beveled top plate / square cut eave	RP3	72
Double top plate / plumb cut eave.....	RP4	73
Double top plate / square cut eave/ rafter past.....	RP5	74
Double top plate / square cut eave	RP6	75
Roof Panel Rake extension		
Wall panel / roof panel rake extension	RP7	76
Wall panel / roof "C" panel with ladder rake	RP8	77
Wall panel / roof panel with outlooker.....	RP9	78
Roof Panel to Ridge		
Roof panel / ridge beam / foam cap.....	RB0	79
Roof panel ridge / ridge beam	RB1	80
Roof panel with lumber / ridge beam.....	RB2	81
Roof panel overlay / ridge beam	RB3	82
Roof Panel to Mid-span Beam		
Roof panel spline at mid-span beam.....	RB4	83
Roof panel / mid-span beam.....	RB5	84
Roof Trusses		
Double top plate / typical roof truss	RT1	85
Double top plate / typical endwall roof truss.....	RT2	86
Typical roof truss rake	RT3	87
Typical roof dropped truss	RT4	88
Electrical		
Vertical wire chase alignment.....	WC1	89
Marking wire chases	WC2	90
Electrical box	WC3	91
Plumbing		
Plumbing detail.....	PL1	92
Roof penetration.....	PL2	93
Division Walls		
Panels to division wall.....	DW1	94
Roof truss to division wall	DW2	95

NOTE: SEE FASTEN SCHEDULE FOR ALL CONNECTIONS



NOTE: MINIMUM FOUNDATION THICKNESS OF 10" FOR R-26 PANEL



DETAIL: PANEL PAST/FLOOR TRUSS/CONCRETE

SCALE: N.T.S.

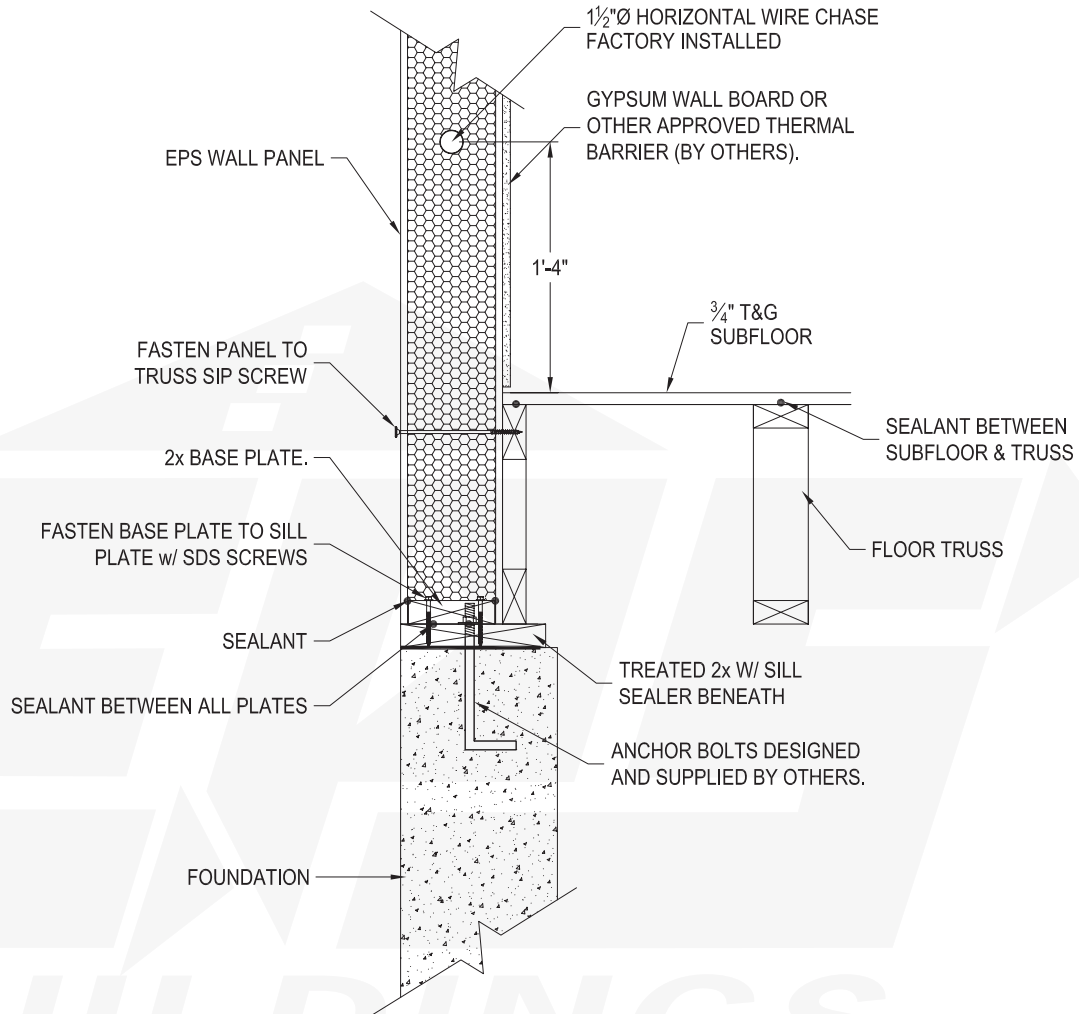
UPDATED: 1/26/16

DETAIL#

PP1

ENERGY PANEL STRUCTURES, 102 EAST INDUSTRIAL PARK, GRAETTINGER, IA 51342
PHONE: (712) 859-3219 FAX: (712) 859-3275 WWW.EPSBUILDINGS.COM

NOTE: SEE FASTEN SCHEDULE FOR ALL CONNECTIONS



NOTE: FLOOR END WALL BLOCKING WILL BE REQUIRED WITH THIS DETAIL. SPECIFICATIONS WILL BE PER JOB.

NOTE: MINIMUM FOUNDATION THICKNESS OF 10" FOR R-26 PANEL



DETAIL: PANEL PAST/FLOOR TRUSS PARALLEL/CONCRETE

SCALE: N.T.S.

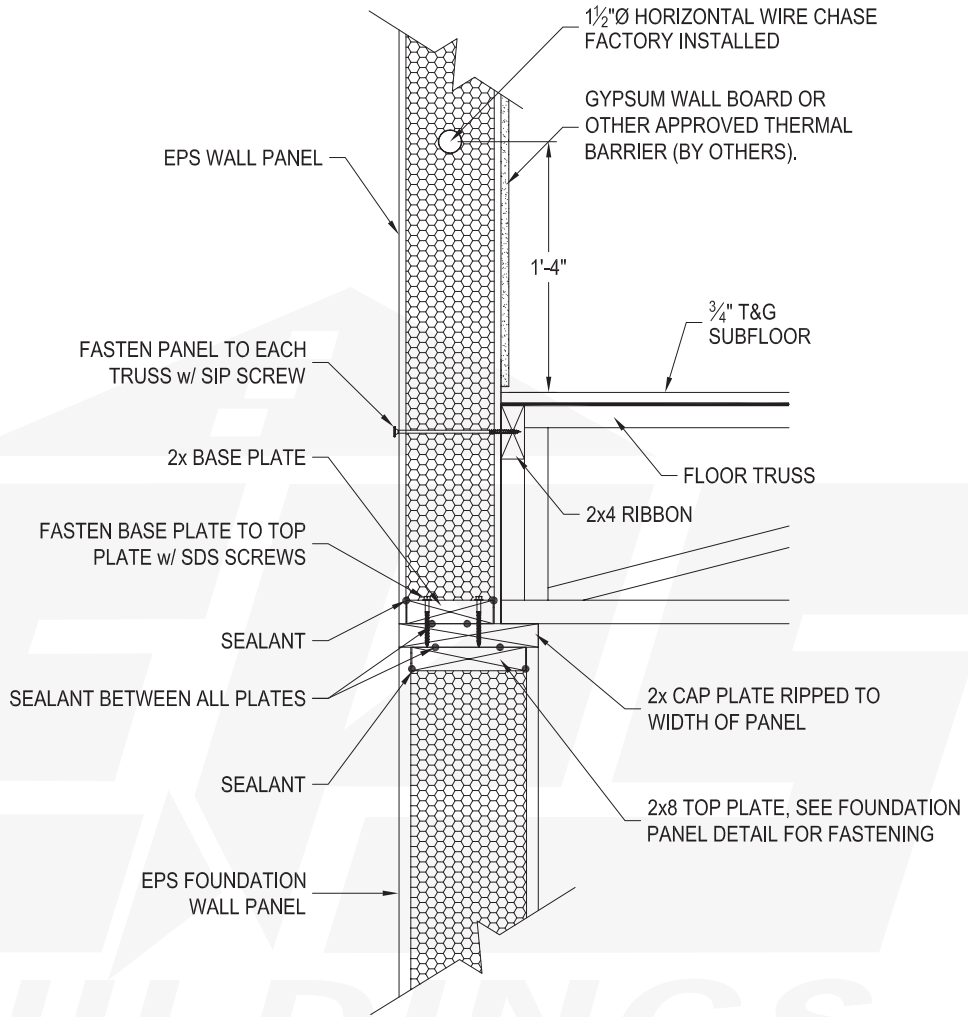
UPDATED: 1/26/16

DETAIL#

PP2

ENERGY PANEL STRUCTURES, 102 EAST INDUSTRIAL PARK, GRAETTINGER, IA 51342
PHONE: (712) 859-3219 FAX: (712) 859-3275 WWW.EPSBUILDINGS.COM

NOTE: SEE FASTEN SCHEDULE FOR ALL CONNECTIONS



DETAIL: PANEL PAST/FLOOR TRUSS/FOUNDATION PANEL

SCALE: N.T.S.

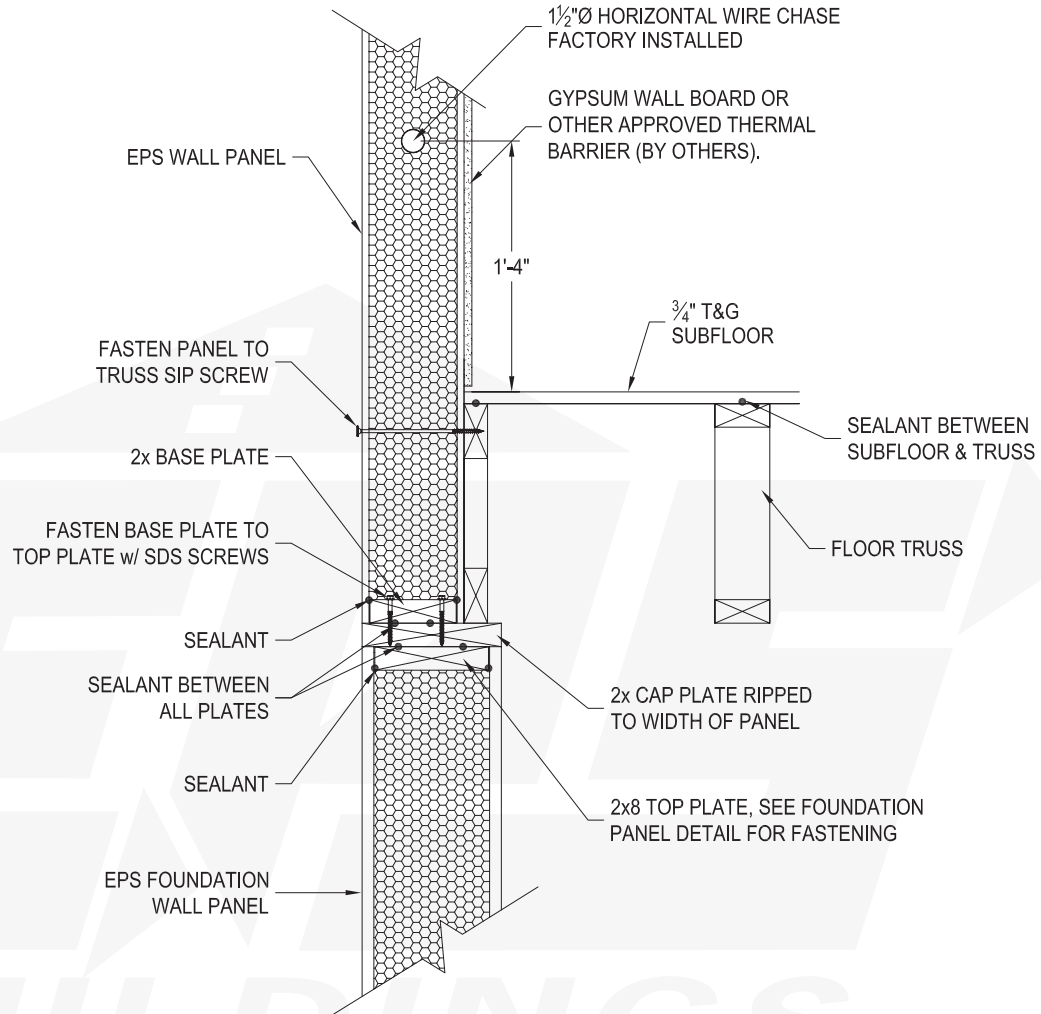
UPDATED: 1/26/16

ENERGY PANEL STRUCTURES, 102 EAST INDUSTRIAL PARK, GRAETTINGER, IA 51342
PHONE: (712) 859-3219 FAX: (712) 859-3275 WWW.EPSBUILDINGS.COM

DETAIL#

PP3

NOTE: SEE FASTEN SCHEDULE FOR ALL CONNECTIONS



NOTE: FLOOR END WALL BLOCKING WILL BE REQUIRED WITH THIS DETAIL.
SPECIFICATIONS WILL BE PER JOB.



DETAIL: PANEL PAST/FL. TRUSS PAR./FOUNDATION PANEL

SCALE: N.T.S.

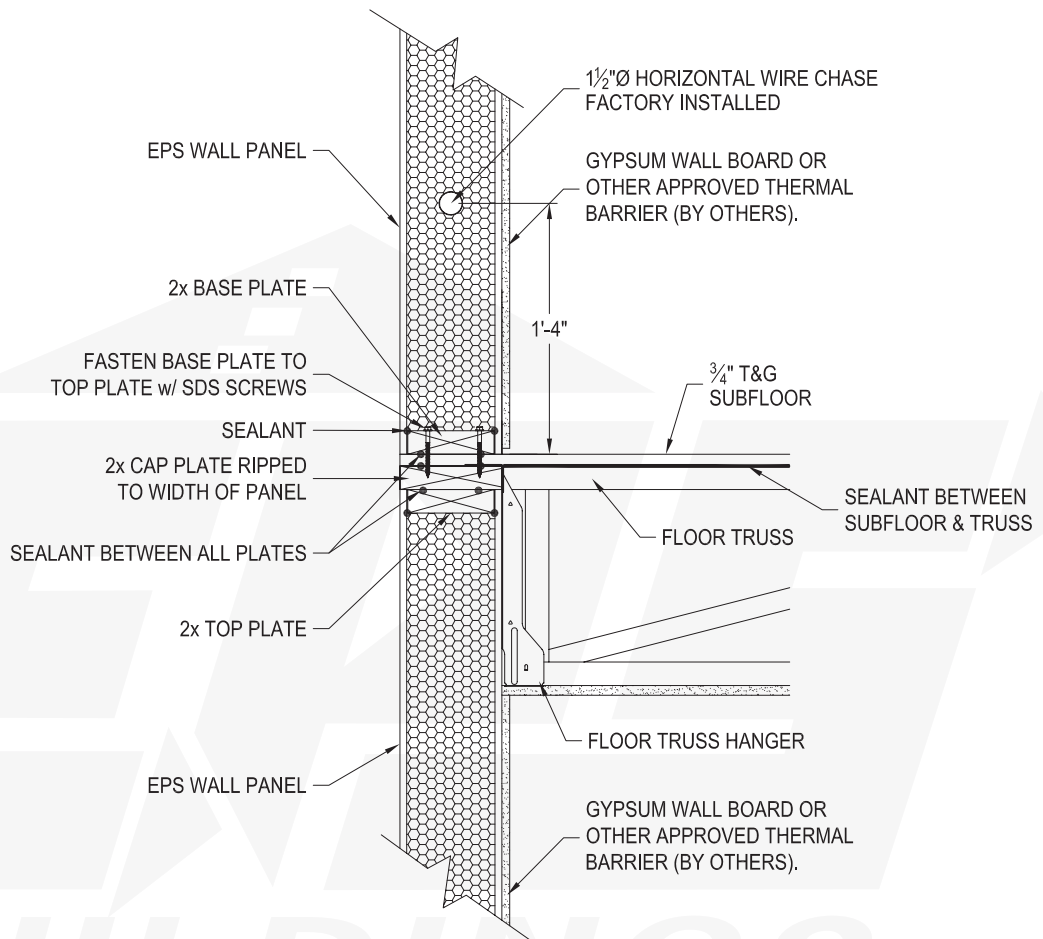
UPDATED: 1/26/16

DETAIL#

PP4

ENERGY PANEL STRUCTURES, 102 EAST INDUSTRIAL PARK, GRAETTINGER, IA 51342
PHONE: (712) 859-3219 FAX: (712) 859-3275 WWW.EPSBUILDINGS.COM

NOTE: SEE FASTEN SCHEDULE FOR ALL CONNECTIONS



DETAIL: PANEL/HANGING FLOOR TRUSS/PANEL

SCALE: N.T.S.

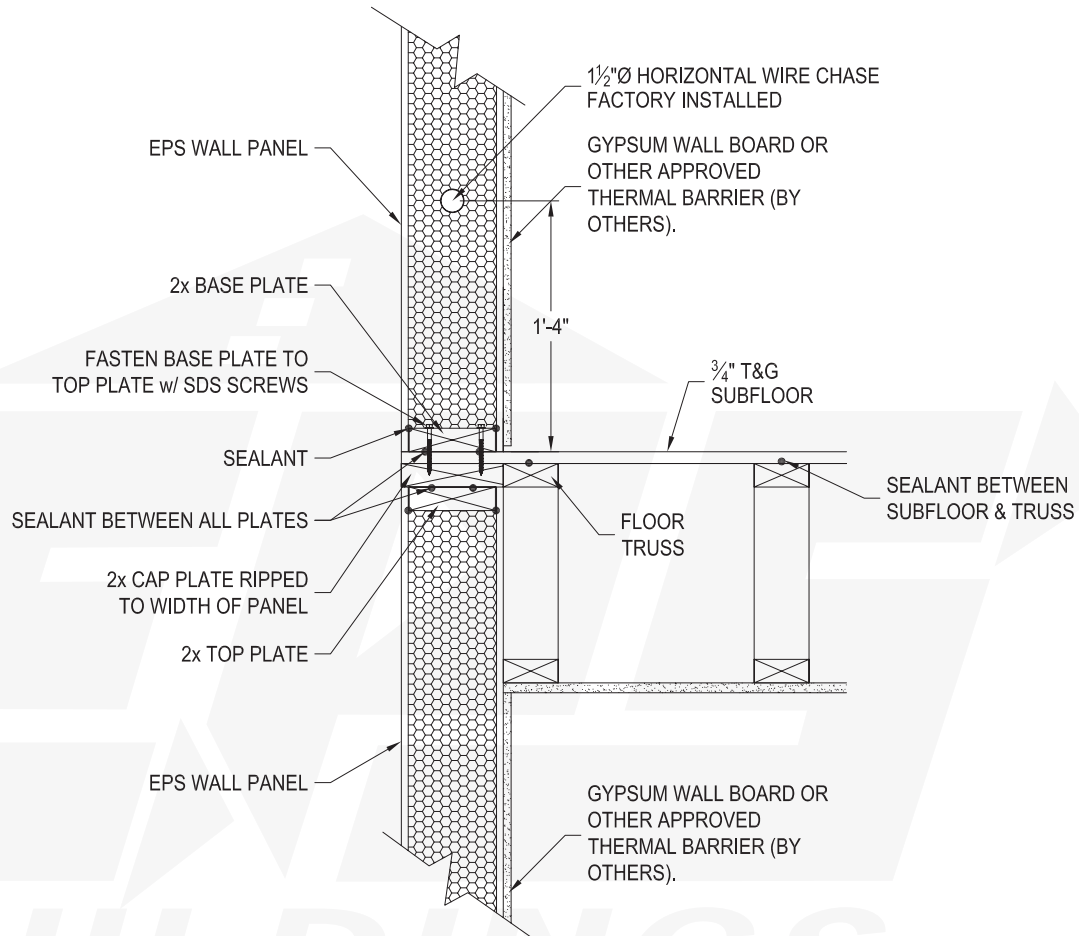
UPDATED: 1/26/16

DETAIL#

PHF1

ENERGY PANEL STRUCTURES, 102 EAST INDUSTRIAL PARK, GRAETTINGER, IA 51342
PHONE: (712) 859-3219 FAX: (712) 859-3275 WWW.EPSBUILDINGS.COM

NOTE: SEE FASTEN SCHEDULE FOR ALL CONNECTIONS



NOTE: FLOOR BLOCKING WILL BE REQUIRED WITH THIS DETAIL.
SPECIFICATIONS WILL BE PER JOB.



DETAIL: PANEL/FLOOR TRUSS PARALLEL/PANEL

SCALE: N.T.S.

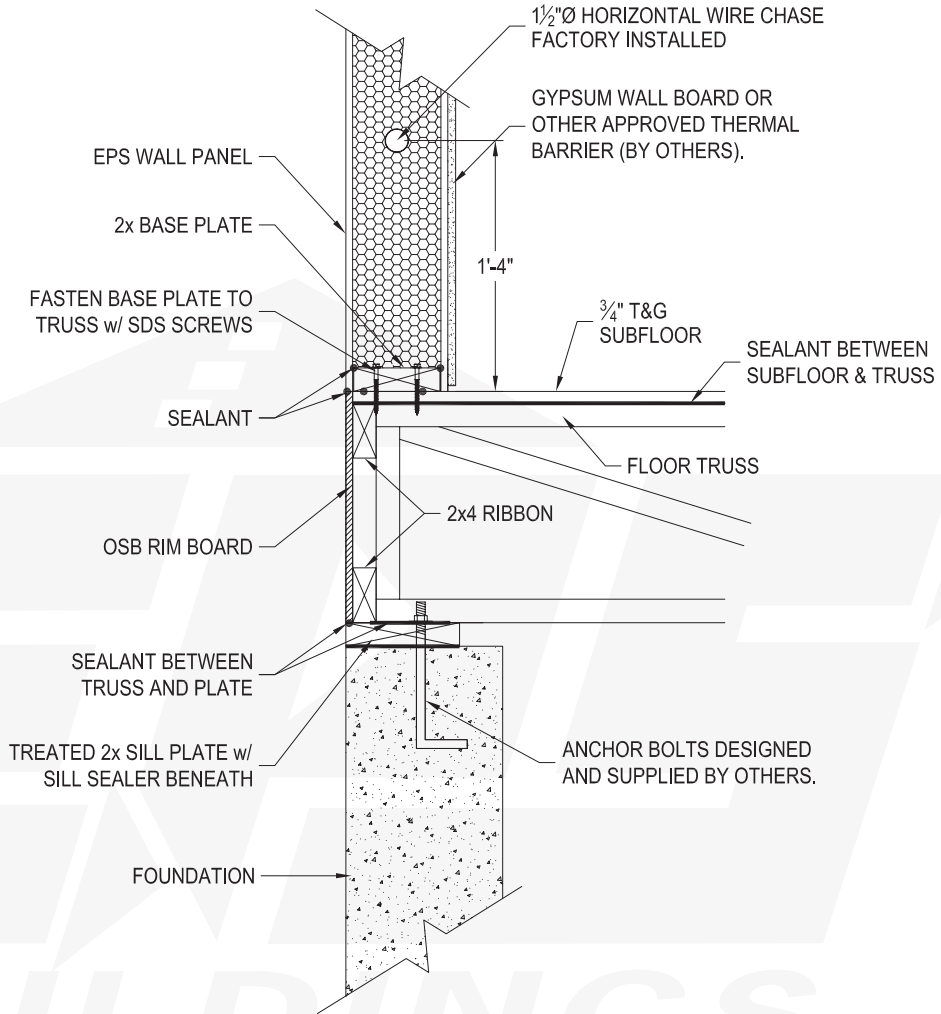
UPDATED: 1/26/16

DETAIL#

PHF2

ENERGY PANEL STRUCTURES, 102 EAST INDUSTRIAL PARK, GRAETTINGER, IA 51342
PHONE: (712) 859-3219 FAX: (712) 859-3275 WWW.EPSBUILDINGS.COM

NOTE: SEE FASTEN SCHEDULE FOR ALL CONNECTIONS



DETAIL: PANEL/TYPICAL FLOOR TRUSS/CONCRETE

SCALE: N.T.S.

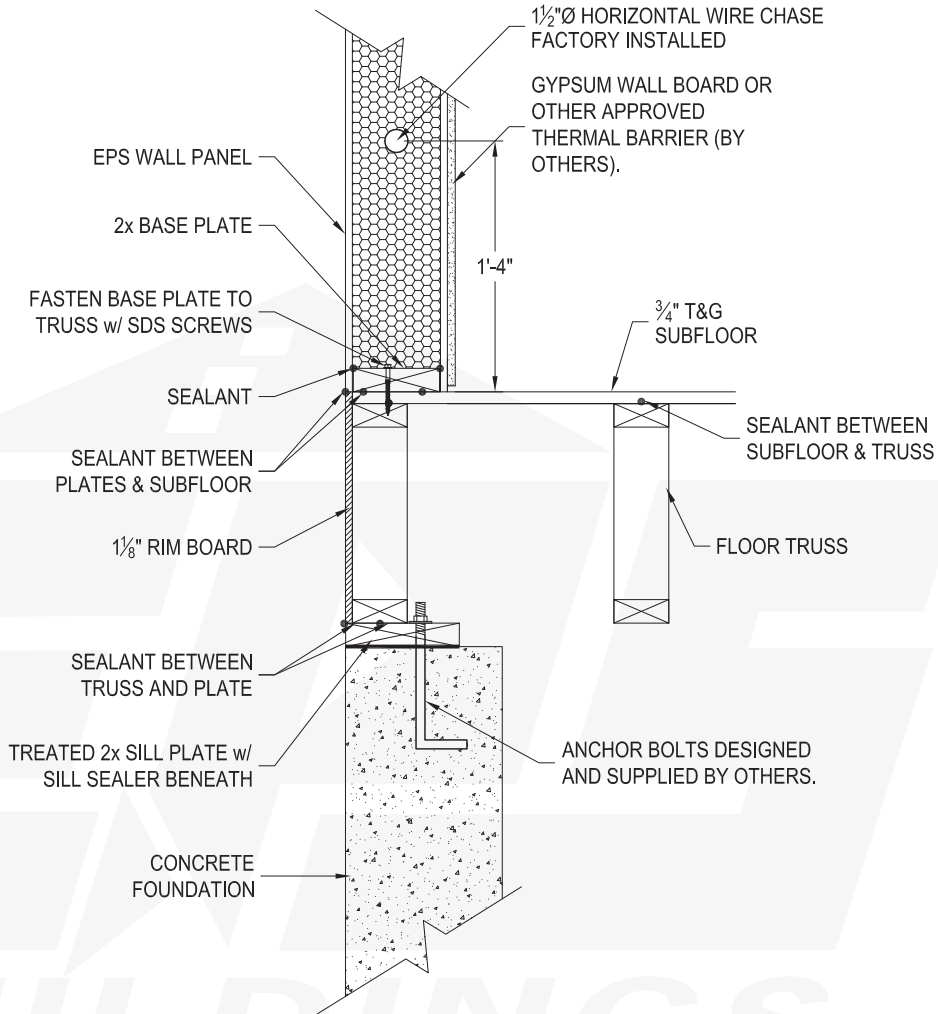
UPDATED: 1/26/16

DETAIL#

PF1

ENERGY PANEL STRUCTURES, 102 EAST INDUSTRIAL PARK, GRAETTINGER, IA 51342
PHONE: (712) 859-3219 FAX: (712) 859-3275 WWW.EPSBUILDINGS.COM

NOTE: SEE FASTEN SCHEDULE FOR ALL CONNECTIONS



NOTE: FLOOR END WALL BLOCKING WILL BE REQUIRED WITH THIS DETAIL. SPECIFICATIONS WILL BE PER JOB.



DETAIL: PANEL/TYPICAL FLOOR TRUSS PAR./CONCRETE

SCALE: N.T.S.

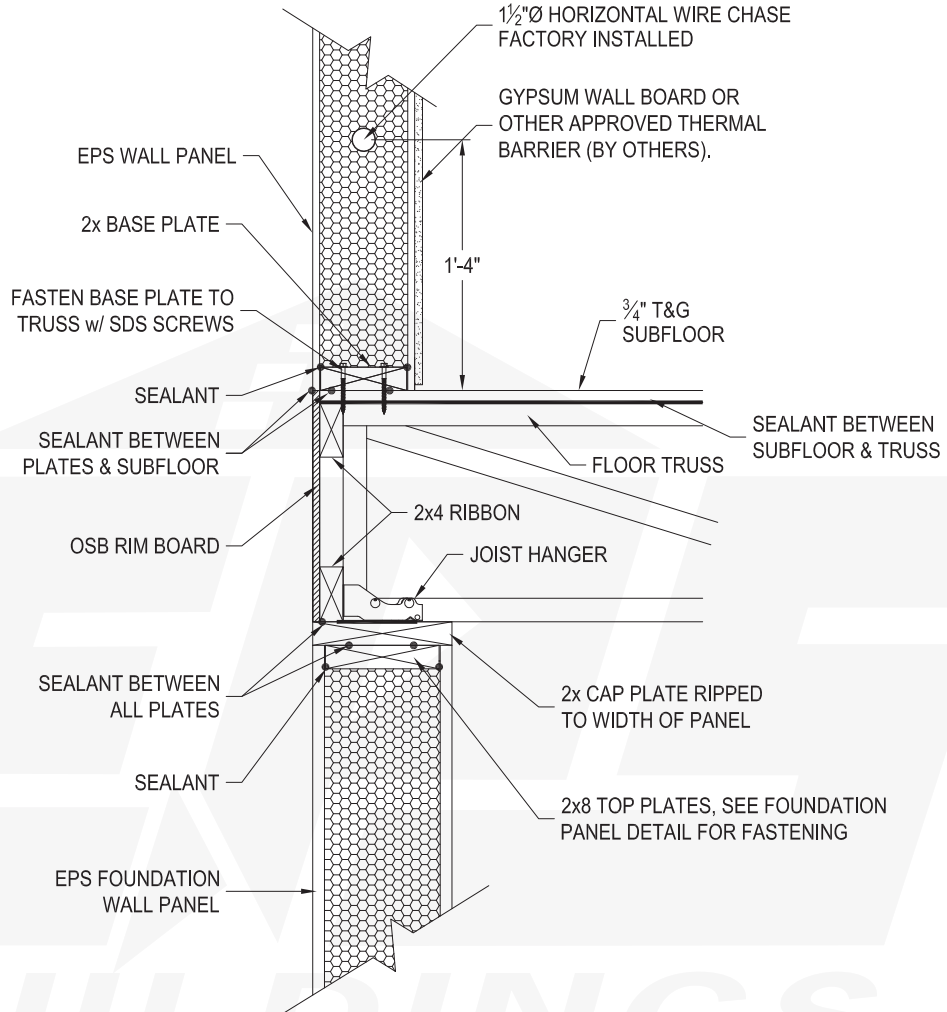
UPDATED: 1/26/16

DETAIL#

PF2

ENERGY PANEL STRUCTURES, 102 EAST INDUSTRIAL PARK, GRAETTINGER, IA 51342
PHONE: (712) 859-3219 FAX: (712) 859-3275 WWW.EPSBUILDINGS.COM

NOTE: SEE FASTEN SCHEDULE FOR ALL CONNECTIONS



DETAIL: PANEL/TYPICAL FLOOR TRUSS/FOUNDATION PANEL

SCALE: N.T.S.

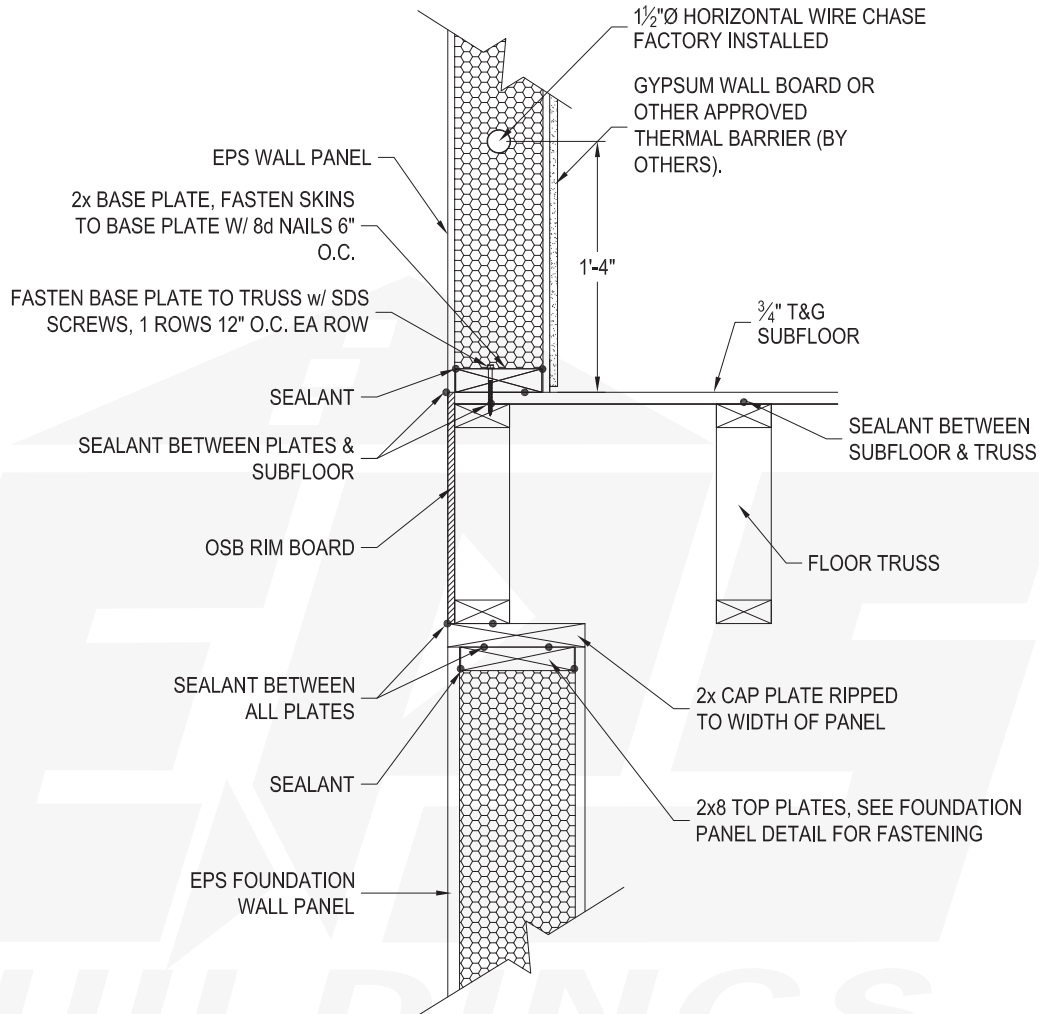
UPDATED: 1/26/16

DETAIL#

PF3

ENERGY PANEL STRUCTURES, 102 EAST INDUSTRIAL PARK, GRAETTINGER, IA 51342
PHONE: (712) 859-3219 FAX: (712) 859-3275 WWW.EPSBUILDINGS.COM

NOTE: SEE FASTEN SCHEDULE FOR ALL CONNECTIONS



NOTE: FLOOR END WALL BLOCKING WILL BE REQUIRED WITH THIS DETAIL.
SPECIFICATIONS WILL BE PER JOB.



DETAIL: PANEL/TYPICAL FL. TRUSS PAR./FOUNDATION PAN.

SCALE: N.T.S.

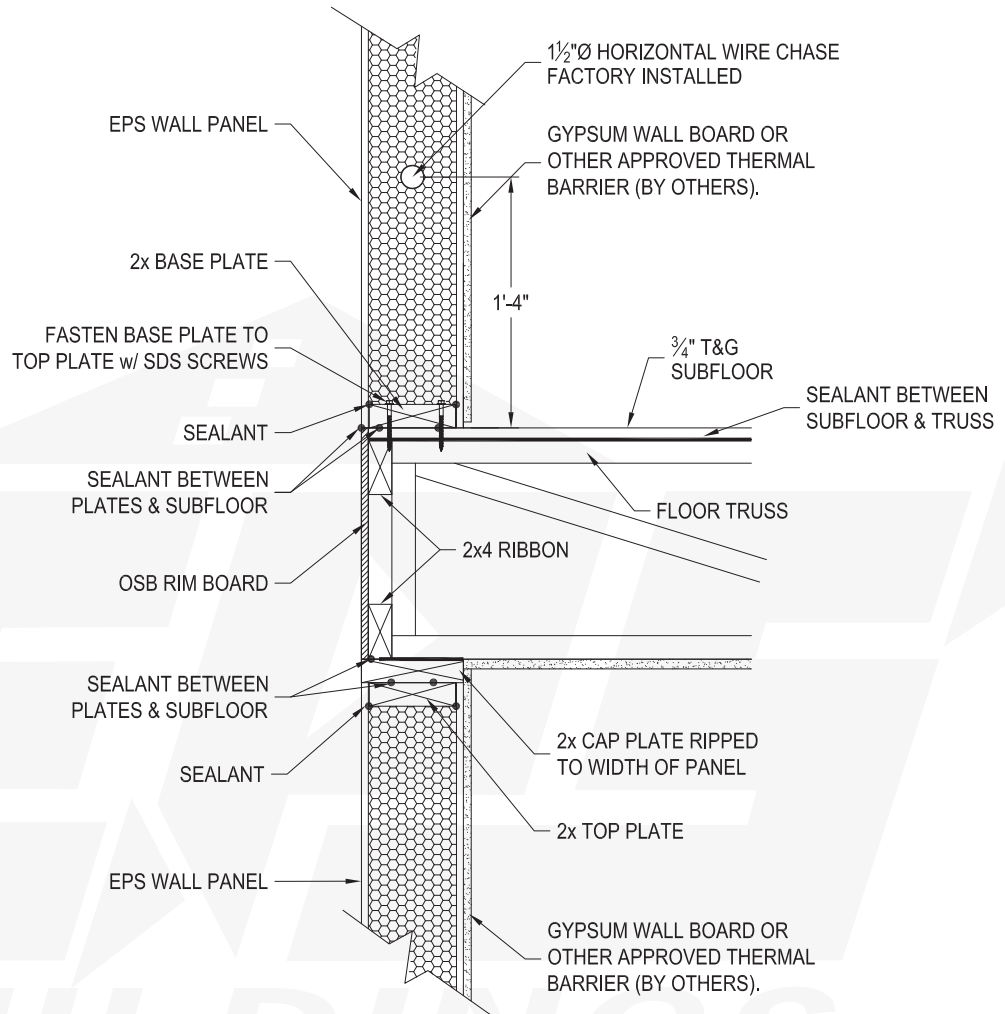
UPDATED: 1/26/16

DETAIL#

PF4

ENERGY PANEL STRUCTURES, 102 EAST INDUSTRIAL PARK, GRAETTINGER, IA 51342
PHONE: (712) 859-3219 FAX: (712) 859-3275 WWW.EPSBUILDINGS.COM

NOTE: SEE FASTEN SCHEDULE FOR ALL CONNECTIONS



DETAIL: PANEL/TYPICAL FLOOR TRUSS/PANEL

SCALE: N.T.S.

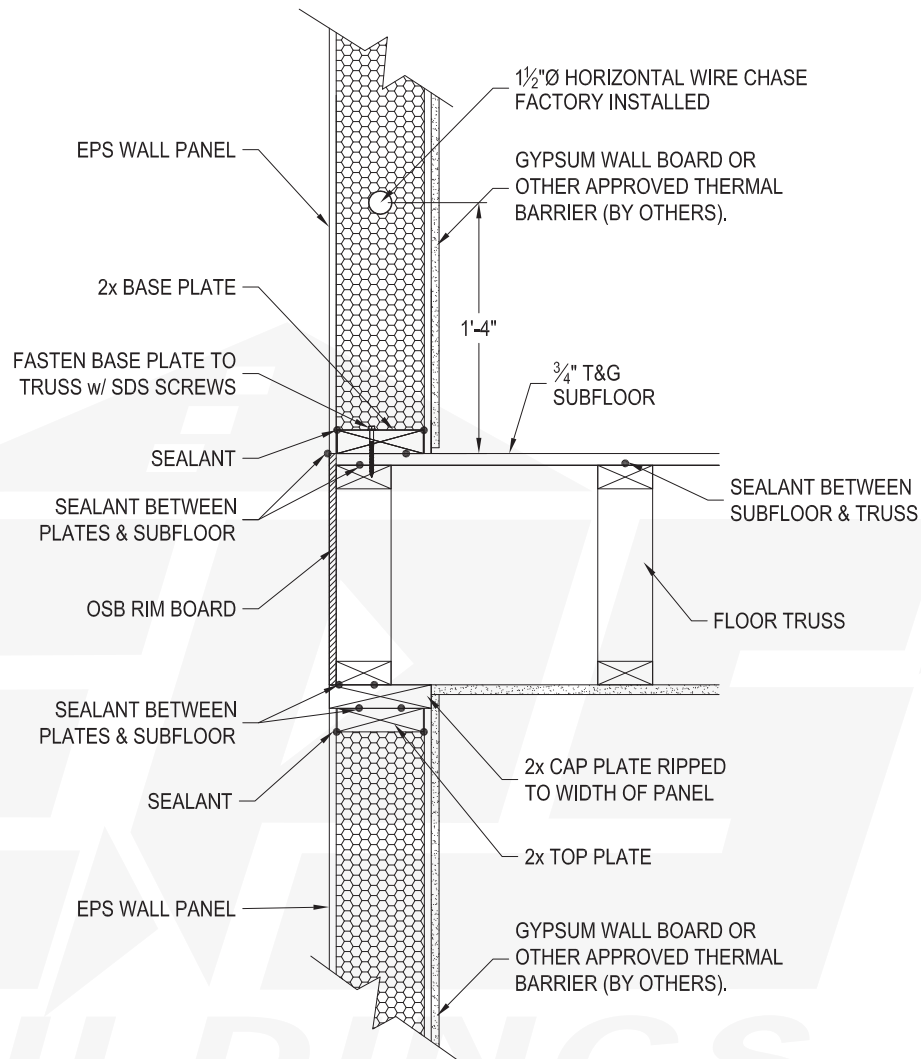
UPDATED: 1/26/16

DETAIL#

PSF1

ENERGY PANEL STRUCTURES, 102 EAST INDUSTRIAL PARK, GRAETTINGER, IA 51342
PHONE: (712) 859-3219 FAX: (712) 859-3275 WWW.EPSBUILDINGS.COM

NOTE: SEE FASTEN SCHEDULE FOR ALL CONNECTIONS



NOTE: FLOOR END WALL BLOCKING WILL BE REQUIRED WITH THIS DETAIL. SPECIFICATIONS WILL BE PER JOB.



DETAIL: PANEL/TYPICAL FLOOR TRUSS PARALLEL/PANEL

SCALE: N.T.S.

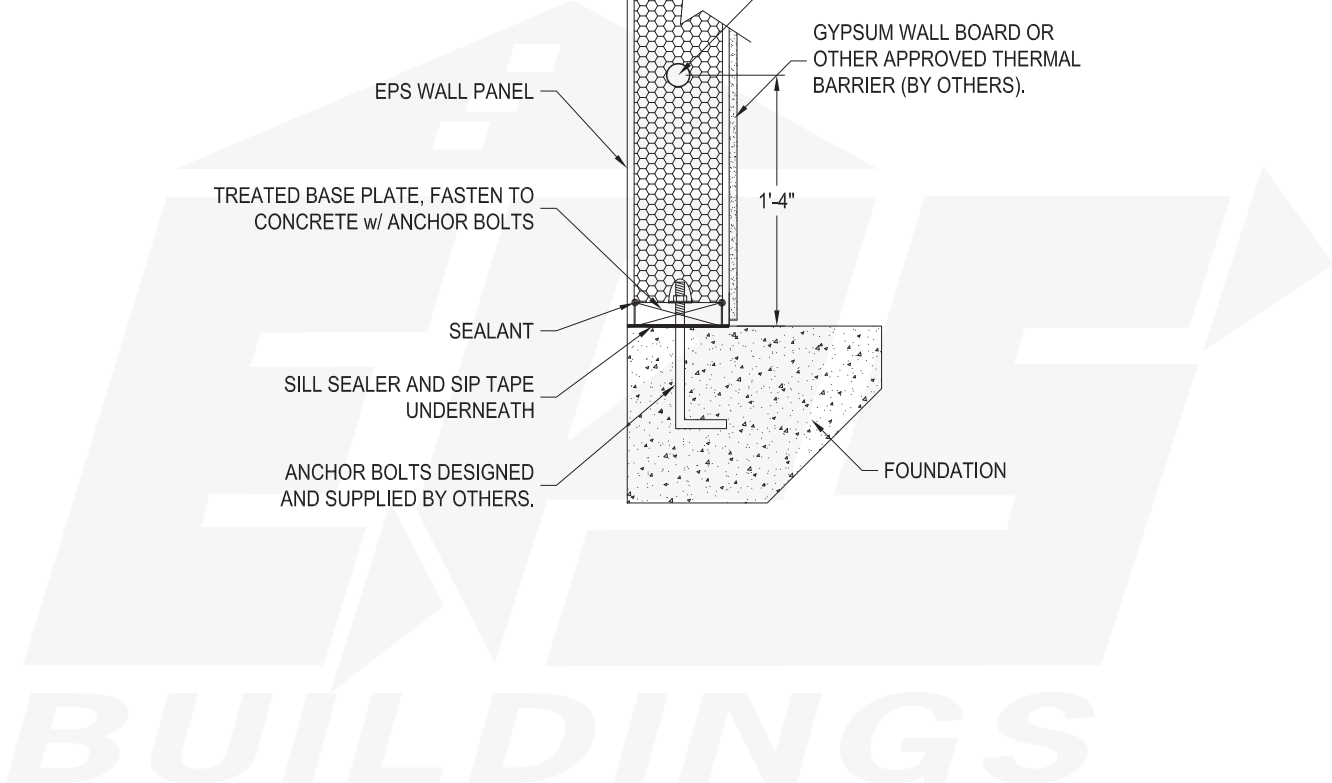
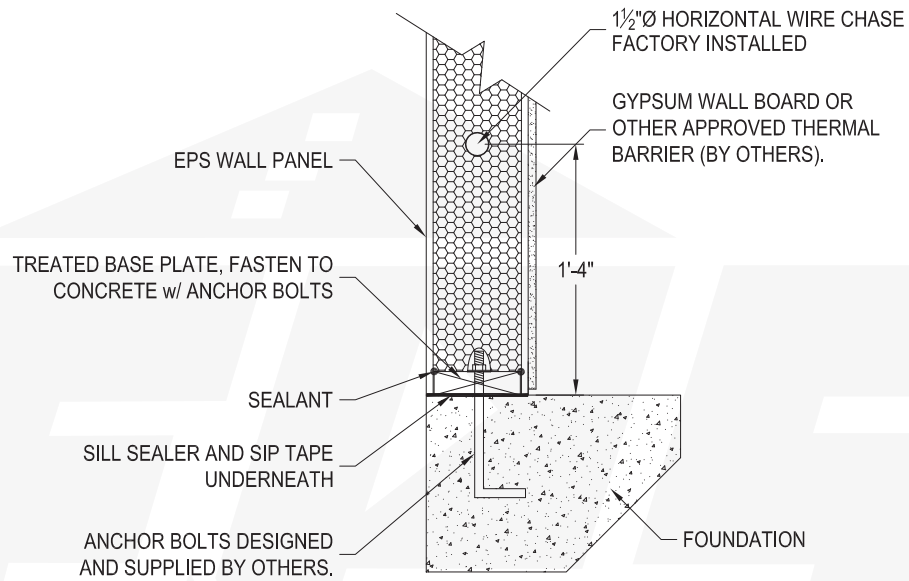
UPDATED: 1/26/16

DETAIL#

PSF2

ENERGY PANEL STRUCTURES, 102 EAST INDUSTRIAL PARK, GRAETTINGER, IA 51342
PHONE: (712) 859-3219 FAX: (712) 859-3275 WWW.EPSBUILDINGS.COM

NOTE: SEE FASTEN SCHEDULE FOR ALL CONNECTIONS



NOTE: SIP TAPE IS USED UNDER PANEL TO PREVENT PANELS FROM WICKING MOISTURE.



DETAIL: PANEL/CONCRETE

SCALE: N.T.S.

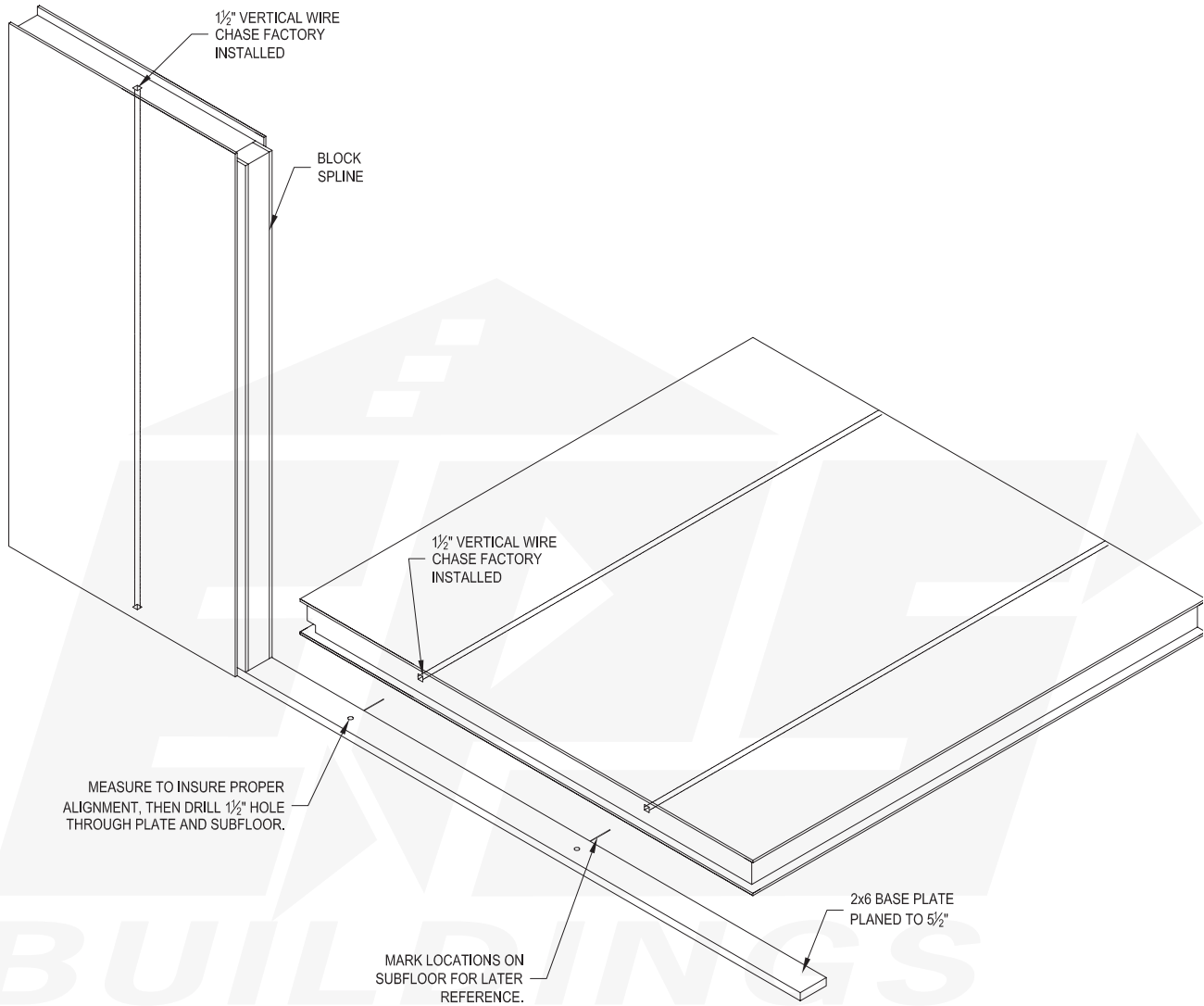
UPDATED: 1/26/16

DETAIL#

PC1

ENERGY PANEL STRUCTURES, 102 EAST INDUSTRIAL PARK, GRAETTINGER, IA 51342
PHONE: (712) 859-3219 FAX: (712) 859-3275 WWW.EPSBUILDINGS.COM

NOTE: HOLES MUST BE DRILLED INTO TOP AND BOTTOM PLATES TO GIVE ACCESS TO CHASES AFTER PANELS ARE SET.



NOTE: IF PANELS RUN PAST FLOOR YOU MAY NEED TO MARK THE SILL PLATE FOR LATER REFERENCE



DETAIL: VERTICAL WIRE CHASE ALIGNMENT

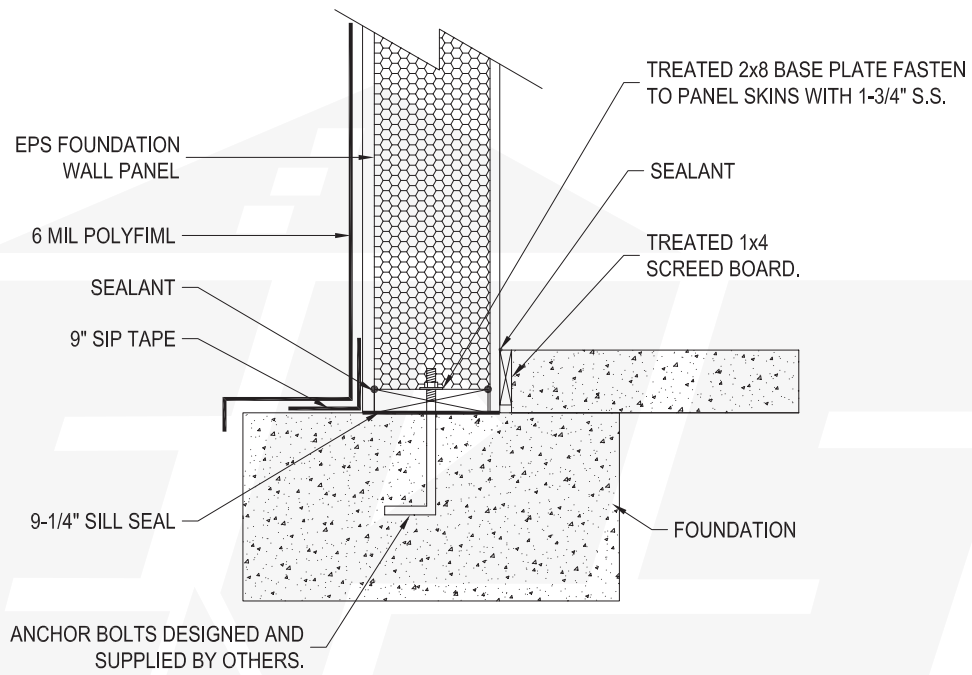
SCALE: N.T.S.

UPDATED: 1/26/16

DETAIL#

WC2

ENERGY PANEL STRUCTURES, 102 EAST INDUSTRIAL PARK, GRAETTINGER, IA 51342
PHONE: (712) 859-3219 FAX: (712) 859-3275 WWW.EPSBUILDINGS.COM



BUILDINGS



DETAIL: PANEL/CONCRETE

SCALE: N.T.S.

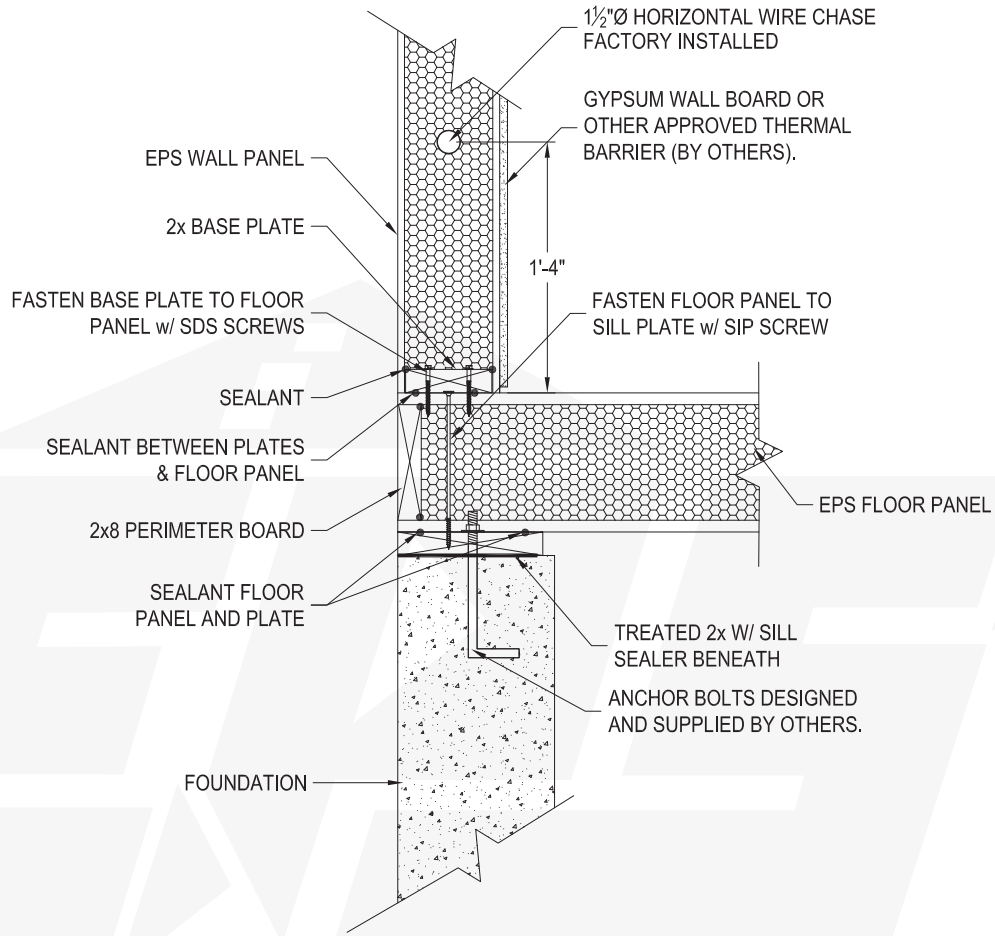
UPDATED: 1/26/16

DETAIL#

PC3

ENERGY PANEL STRUCTURES, 102 EAST INDUSTRIAL PARK, GRAETTINGER, IA 51342
 PHONE: (712) 859-3219 FAX: (712) 859-3275 WWW.EPSBUILDINGS.COM

NOTE: SEE FASTEN SCHEDULE FOR ALL CONNECTIONS



EPS BUILDINGS



DETAIL: FLOOR PANEL / CONCRETE

SCALE: N.T.S.

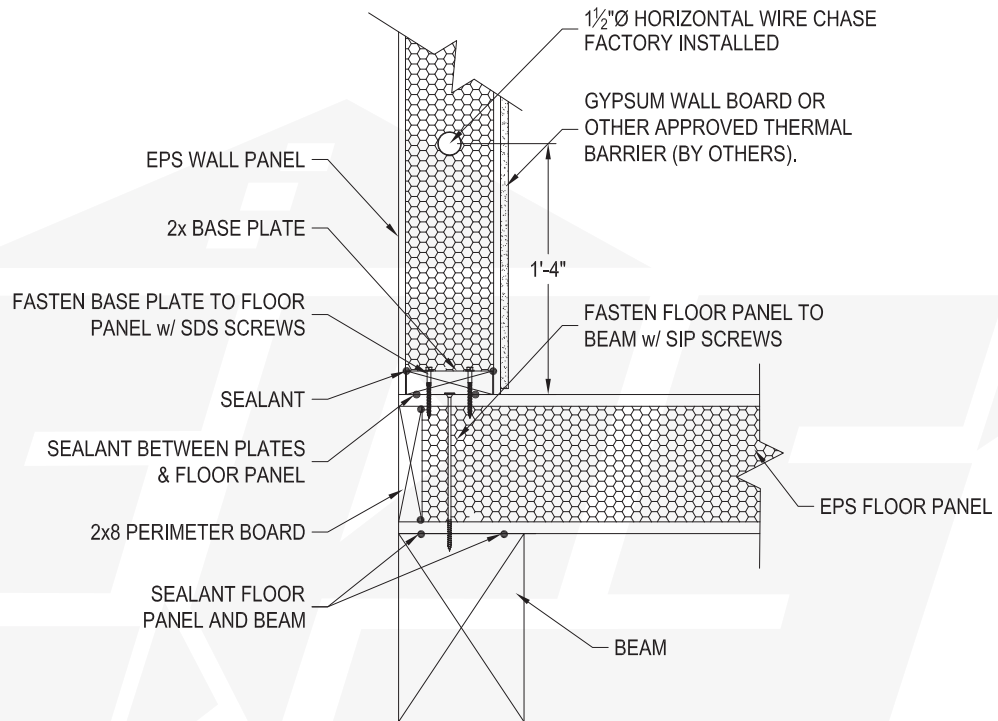
UPDATED: 1/26/16

DETAIL#

FP1

ENERGY PANEL STRUCTURES, 102 EAST INDUSTRIAL PARK, GRAETTINGER, IA 51342
PHONE: (712) 859-3219 FAX: (712) 859-3275 WWW.EPSBUILDINGS.COM

NOTE: SEE FASTEN SCHEDULE FOR ALL CONNECTIONS



BUILDINGS



DETAIL: FLOOR PANEL / BEAM

SCALE: N.T.S.

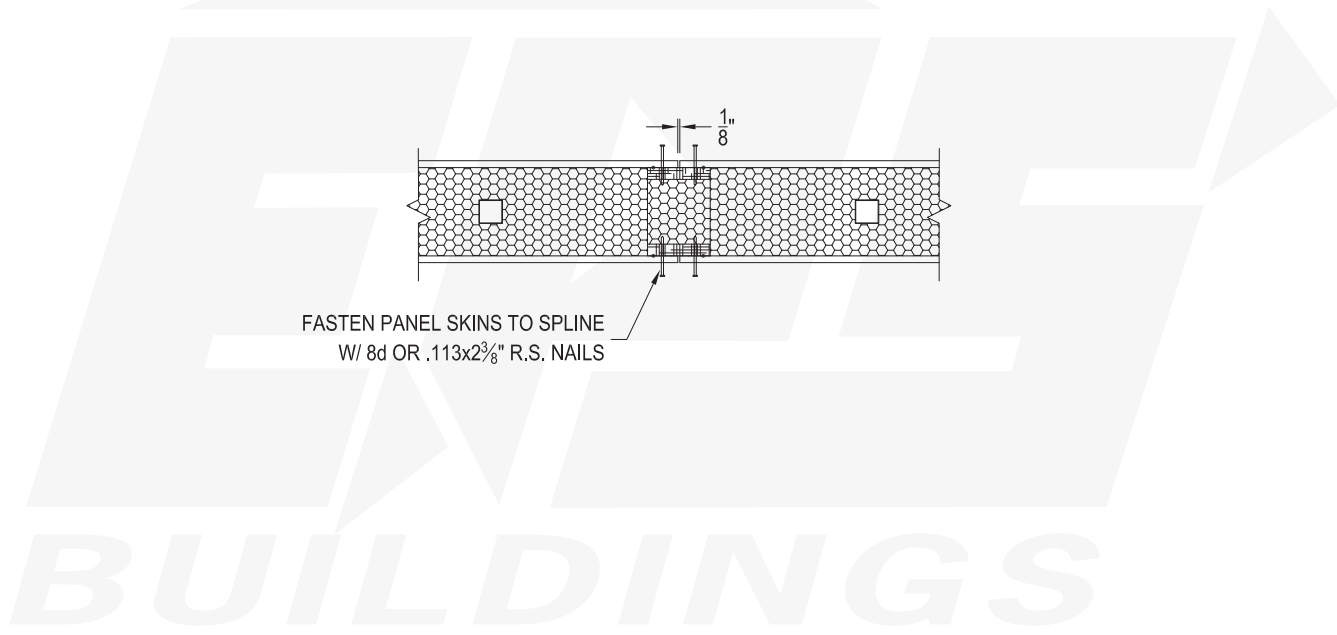
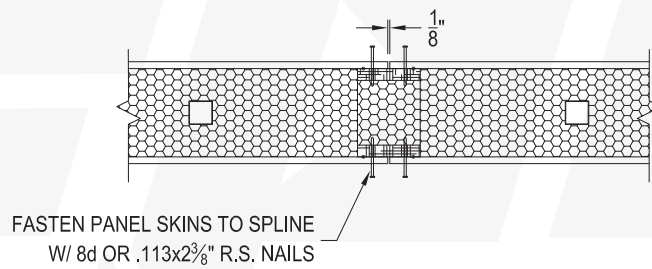
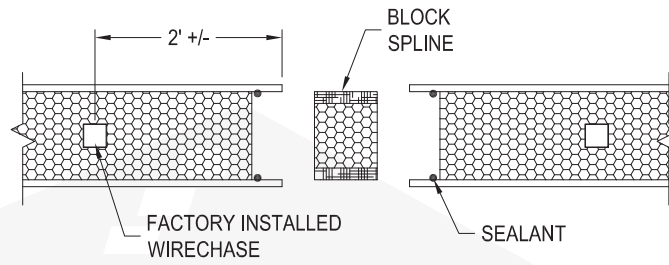
UPDATED: 1/26/16

DETAIL#

FP2

ENERGY PANEL STRUCTURES, 102 EAST INDUSTRIAL PARK, GRAETTINGER, IA 51342
PHONE: (712) 859-3219 FAX: (712) 859-3275 WWW.EPSBUILDINGS.COM

NOTE: SEE FASTEN SCHEDULE FOR ALL CONNECTIONS



DETAIL: BLOCK SPLINE ASSEMBLY

SCALE: N.T.S.

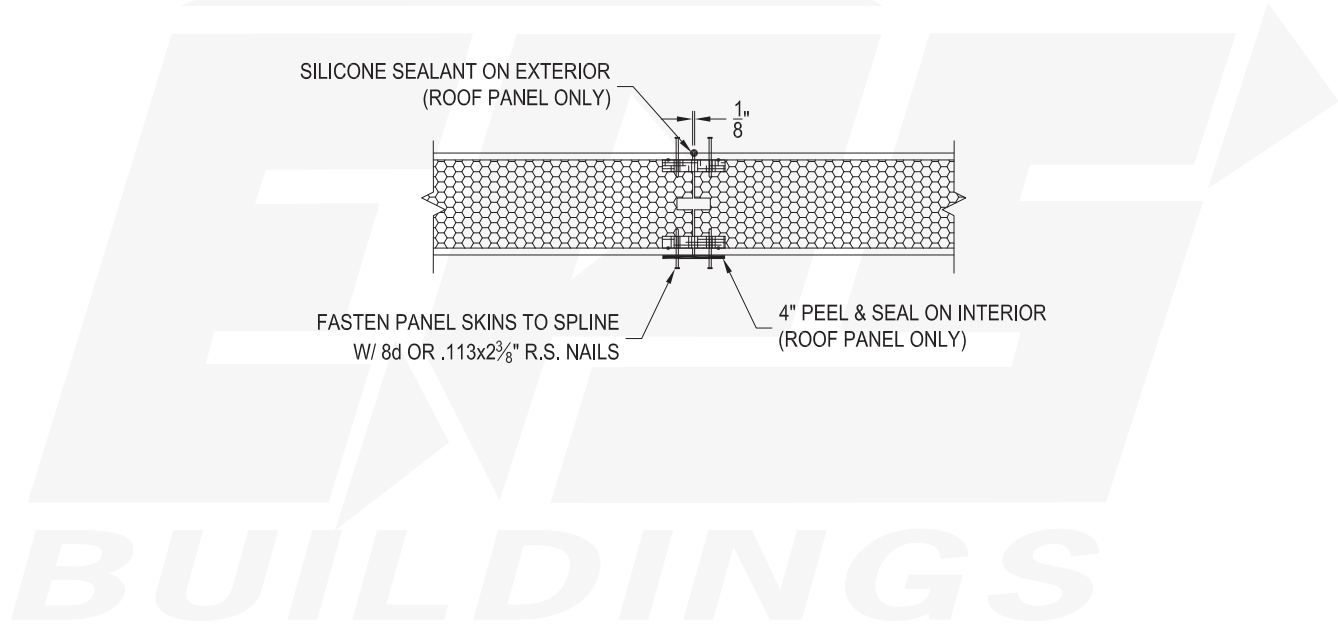
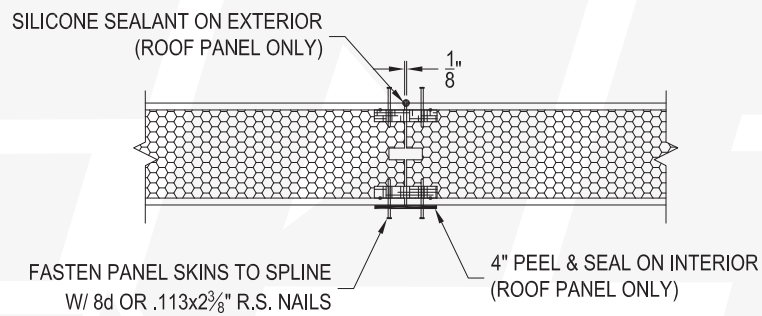
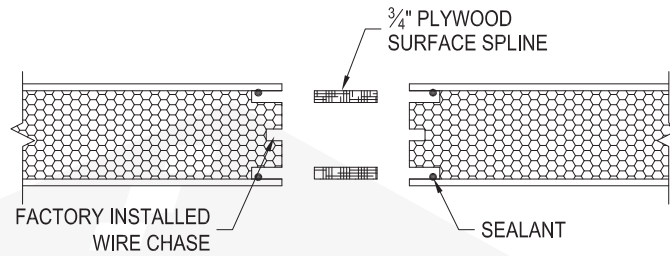
UPDATED: 1/26/16

DETAIL#

SP1

ENERGY PANEL STRUCTURES, 102 EAST INDUSTRIAL PARK, GRAETTINGER, IA 51342
PHONE: (712) 859-3219 FAX: (712) 859-3275 WWW.EPSBUILDINGS.COM

NOTE: SEE FASTEN SCHEDULE FOR ALL CONNECTIONS



NOTE: ROOF PANELS ONLY



DETAIL: SURFACE SPLINE ASSEMBLY

SCALE: N.T.S.

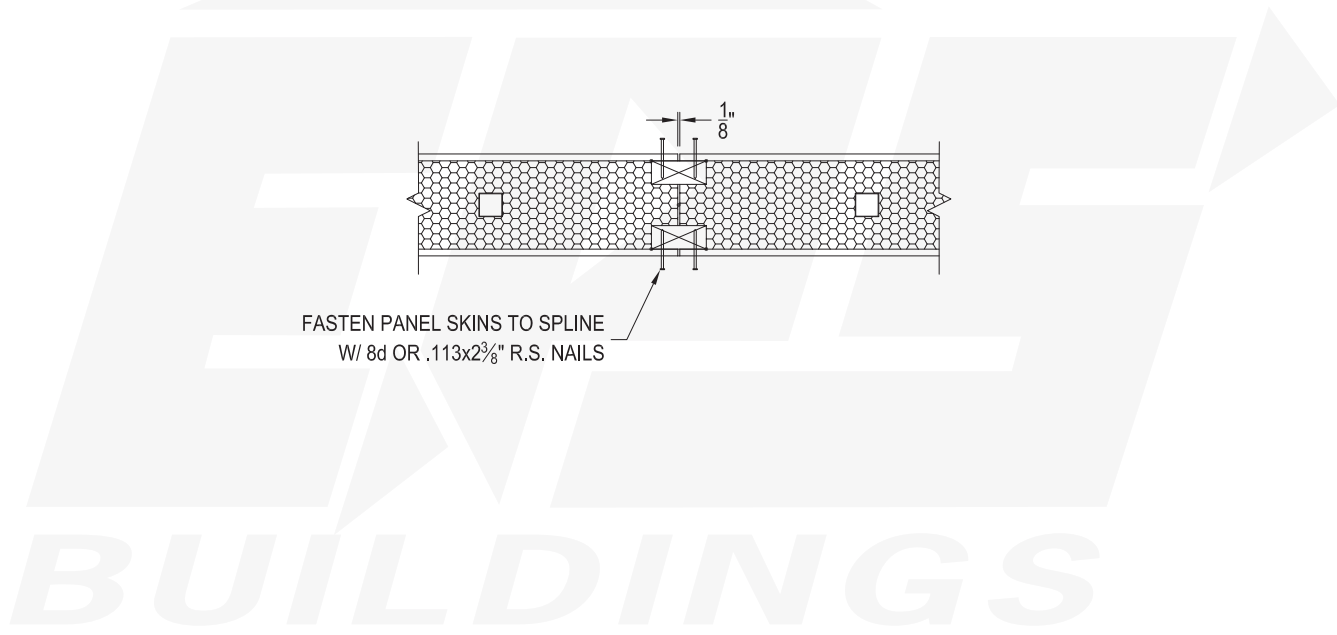
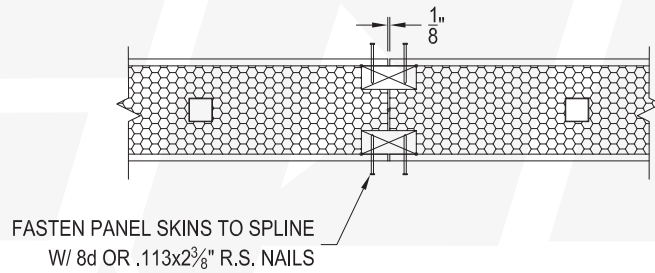
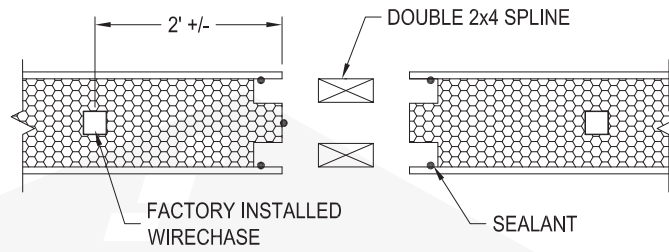
UPDATED: 1/26/16

DETAIL#

SP2

ENERGY PANEL STRUCTURES, 102 EAST INDUSTRIAL PARK, GRAETTINGER, IA 51342
PHONE: (712) 859-3219 FAX: (712) 859-3275 WWW.EPSBUILDINGS.COM

NOTE: SEE FASTEN SCHEDULE FOR ALL CONNECTIONS



NOTE: WALL PANELS ONLY



DETAIL: DOUBLE 2x4 SPLINE ASSEMBLY

SCALE: N.T.S.

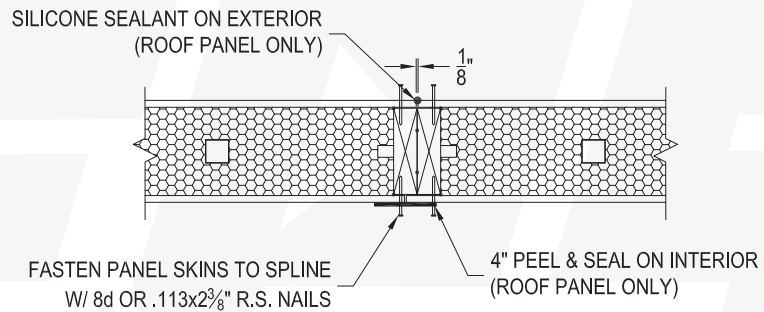
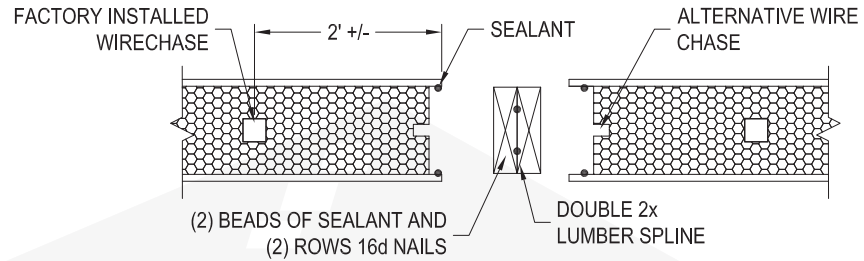
UPDATED: 1/26/16

DETAIL#

SP3

ENERGY PANEL STRUCTURES, 102 EAST INDUSTRIAL PARK, GRAETTINGER, IA 51342
PHONE: (712) 859-3219 FAX: (712) 859-3275 WWW.EPSBUILDINGS.COM

NOTE: SEE FASTEN SCHEDULE FOR ALL CONNECTIONS



NOTE: OPTIONAL WIRE CHASE IS USED IN ROOF & FOUNDATION PANELS

NOTE: WALL PANELS, ROOF PANELS & FOUNDATION PANELS



DETAIL: DOUBLE LUMBER SPLINE ASSEMBLY

SCALE: N.T.S.

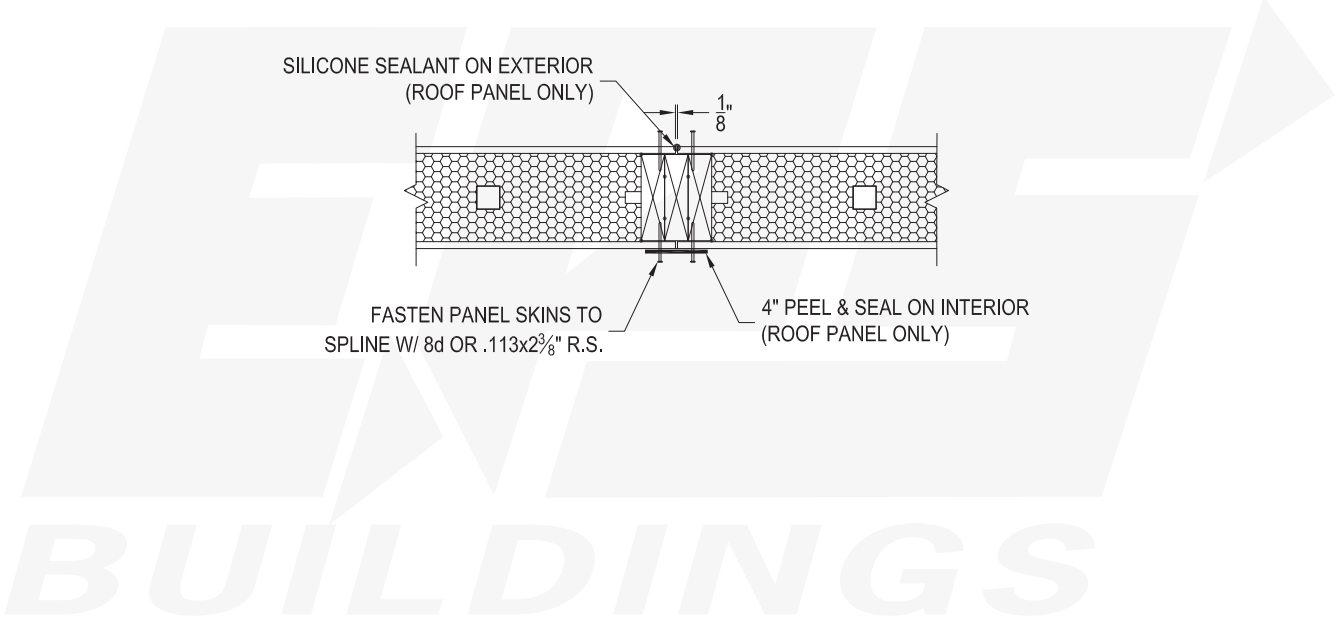
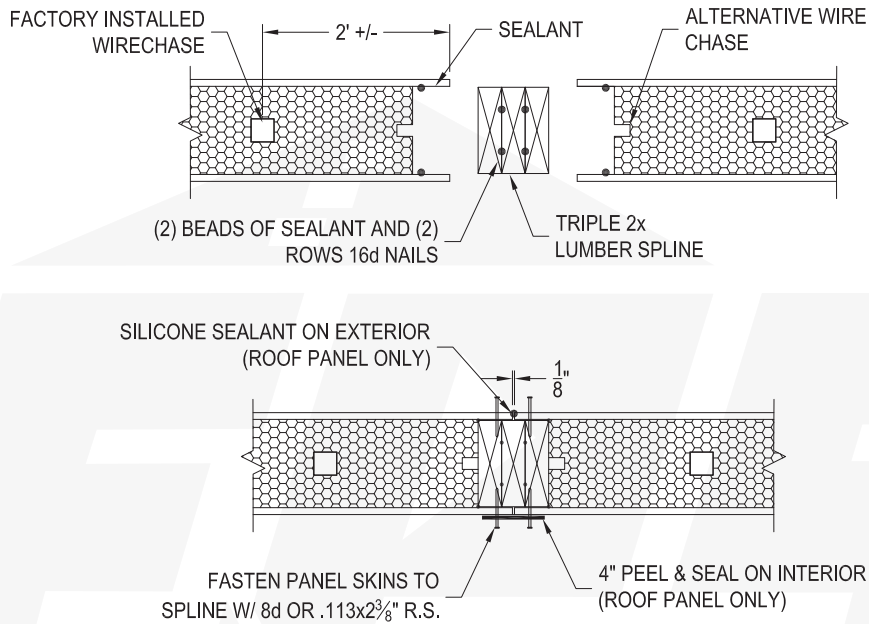
UPDATED: 1/26/16

DETAIL#

SP4

ENERGY PANEL STRUCTURES, 102 EAST INDUSTRIAL PARK, GRAETTINGER, IA 51342
PHONE: (712) 859-3219 FAX: (712) 859-3275 WWW.EPSBUILDINGS.COM

NOTE: SEE FASTEN SCHEDULE FOR ALL CONNECTIONS



NOTE: WALL PANELS, ROOF PANELS & FOUNDATION PANELS



DETAIL: TRIPLE LUMBER SPLINE ASSEMBLY

SCALE: N.T.S.

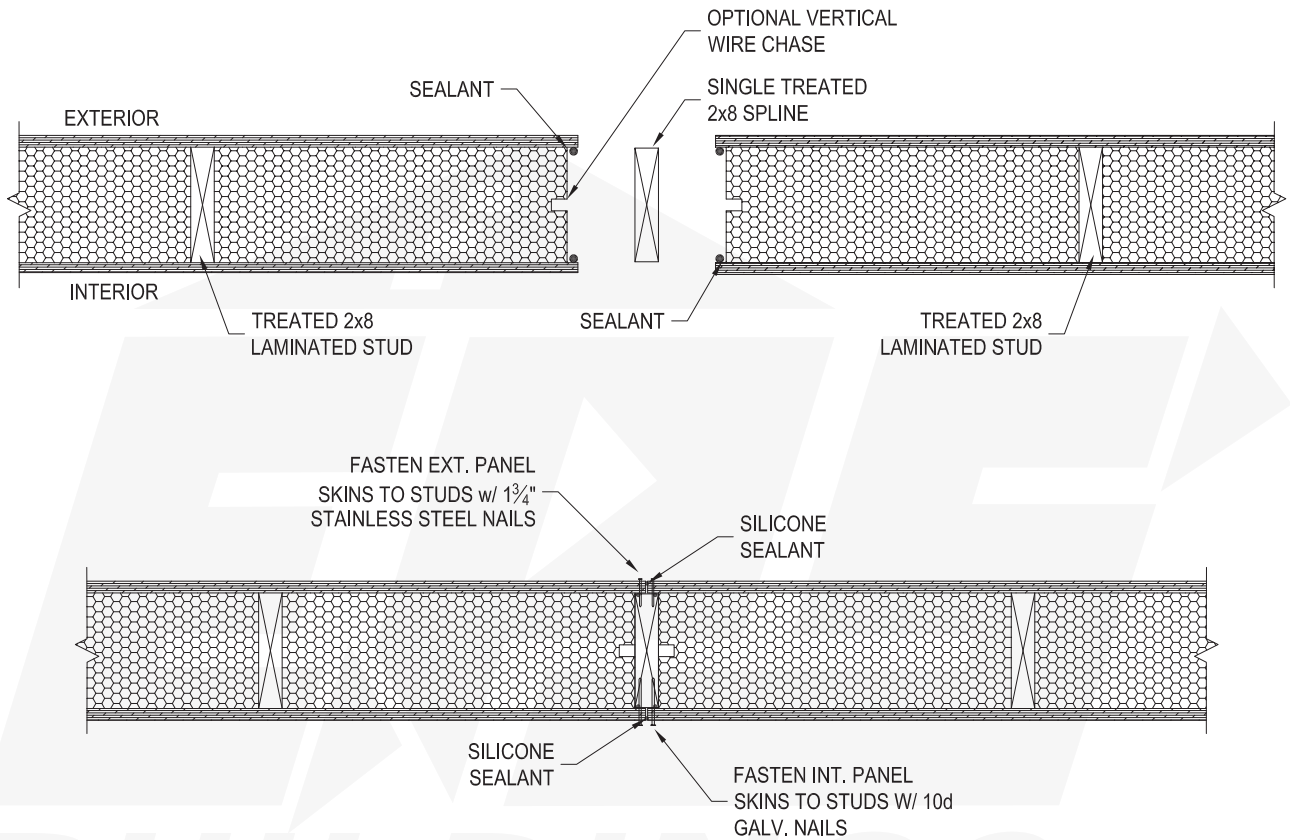
UPDATED: 1/26/16

DETAIL#

SP5

ENERGY PANEL STRUCTURES, 102 EAST INDUSTRIAL PARK, GRAETTINGER, IA 51342
PHONE: (712) 859-3219 FAX: (712) 859-3275 WWW.EPSBUILDINGS.COM

NOTE: SEE FASTEN SCHEDULE FOR ALL CONNECTIONS



DETAIL: FOUNDATION SPLINE ASSEMBLY

SCALE: N.T.S.

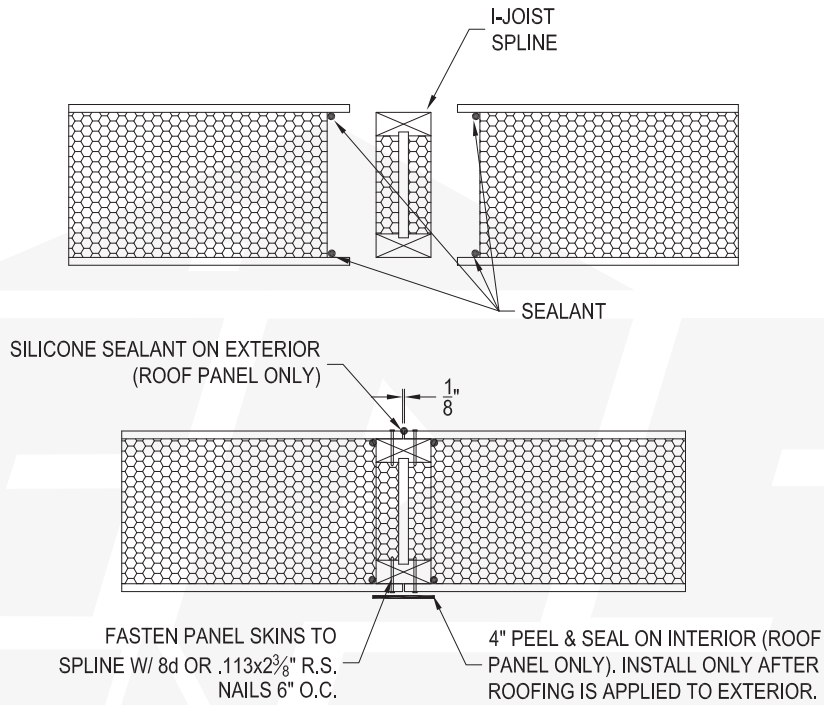
UPDATED: 1/26/16

DETAIL#

SP6

ENERGY PANEL STRUCTURES, 102 EAST INDUSTRIAL PARK, GRAETTINGER, IA 51342
PHONE: (712) 859-3219 FAX: (712) 859-3275 WWW.EPSBUILDINGS.COM

NOTE: SEE FASTEN SCHEDULE FOR ALL CONNECTIONS



NOTE: ROOF PANELS. CHECK WITH EPS FOR AVAILABILITY



DETAIL: I-JOIST ROOF SPLINE

SCALE: N.T.S.

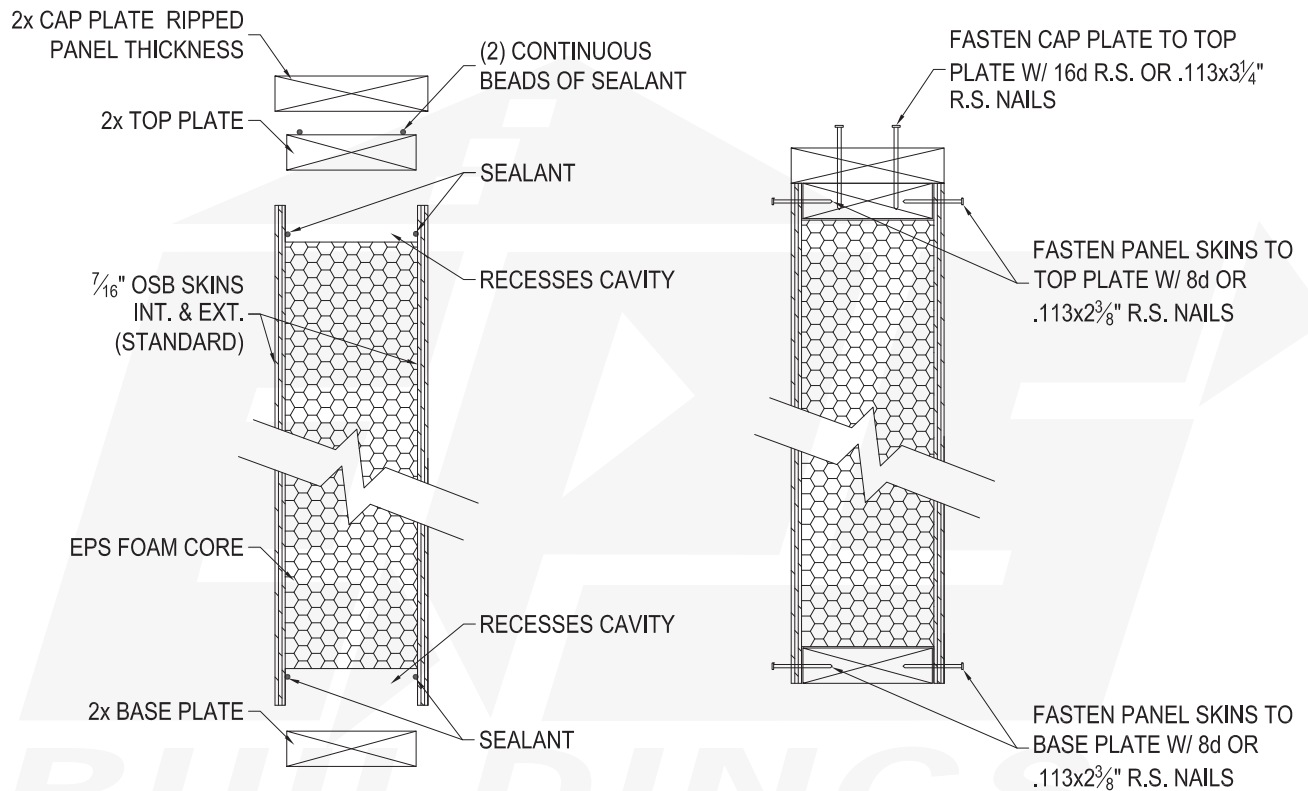
UPDATED: 9/27/10

DETAIL#

SP7

ENERGY PANEL STRUCTURES, 102 EAST INDUSTRIAL PARK, GRAETTINGER, IA 51342
PHONE: (712) 859-3219 FAX: (712) 859-3275 WWW.EPSBUILDINGS.COM

NOTE: SEE FASTEN SCHEDULE FOR ALL CONNECTIONS



DETAIL: TYPICAL WALL/DOUBLE TOP PLATE

SCALE: N.T.S.

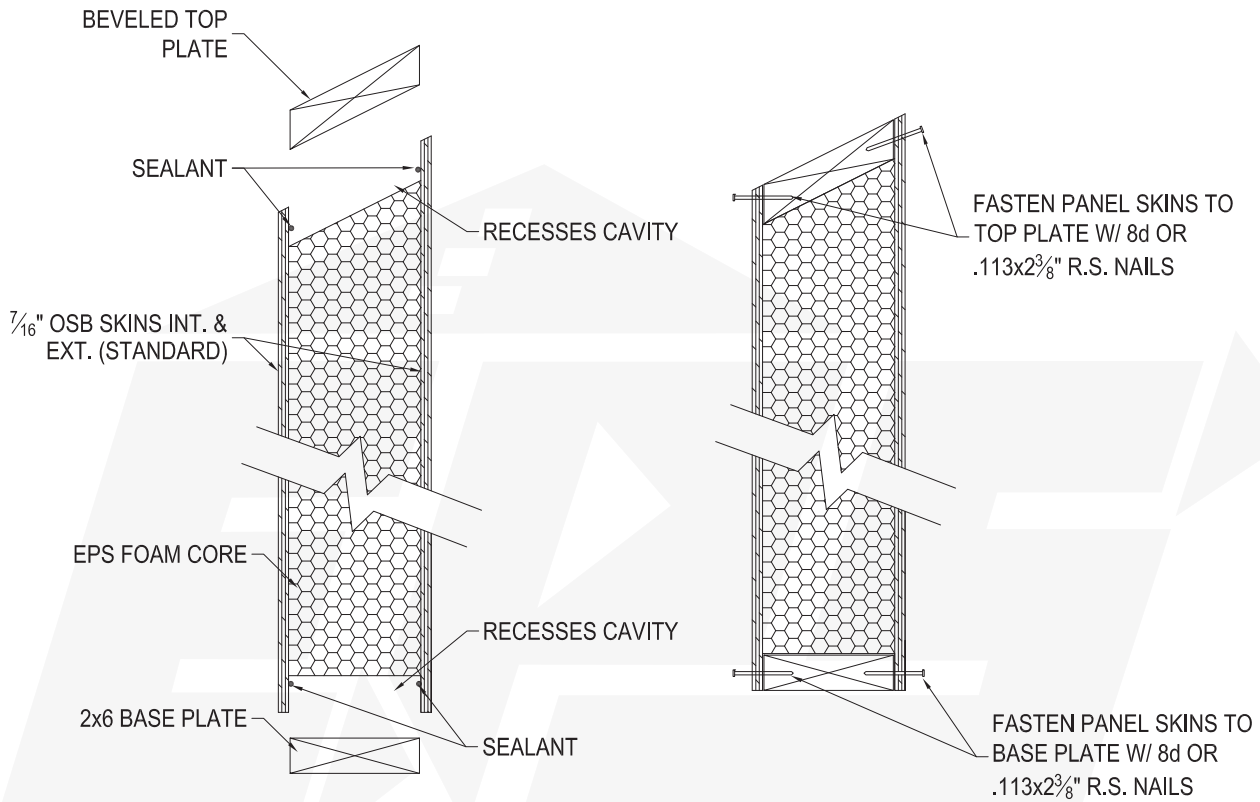
UPDATED: 1/26/16

DETAIL#

WA1

ENERGY PANEL STRUCTURES, 102 EAST INDUSTRIAL PARK, GRAETTINGER, IA 51342
PHONE: (712) 859-3219 FAX: (712) 859-3275 WWW.EPSBUILDINGS.COM

NOTE: SEE FASTEN SCHEDULE FOR ALL CONNECTIONS



BUILDINGS



DETAIL: TYPICAL WALL/DOUBLE BEVELED TOP PLATE

SCALE: N.T.S.

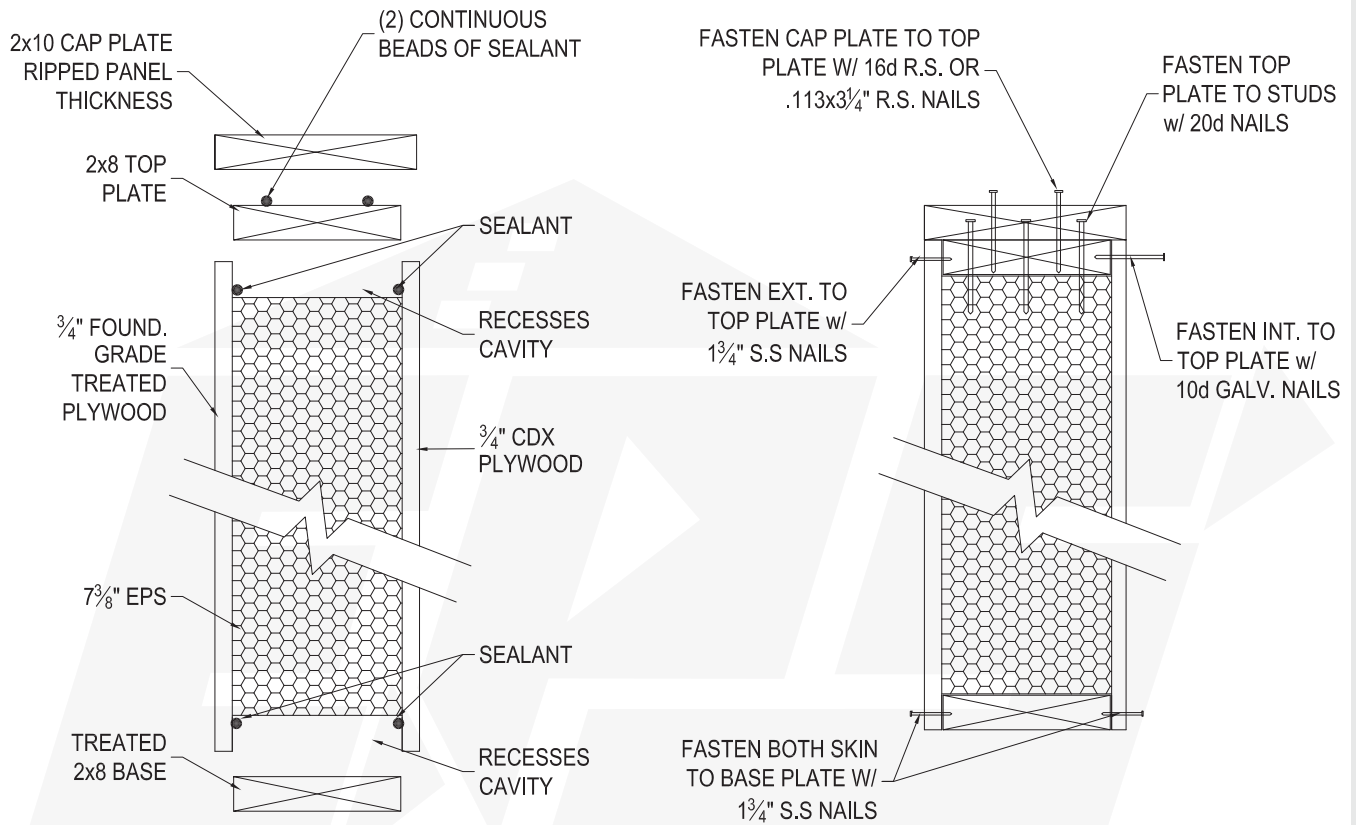
UPDATED: 1/26/16

DETAIL#

WA2

ENERGY PANEL STRUCTURES, 102 EAST INDUSTRIAL PARK, GRAETTINGER, IA 51342
PHONE: (712) 859-3219 FAX: (712) 859-3275 WWW.EPSBUILDINGS.COM

NOTE: SEE FASTEN SCHEDULE FOR ALL CONNECTIONS



BUILDINGS



DETAIL: TYPICAL FOUNDATION PANEL

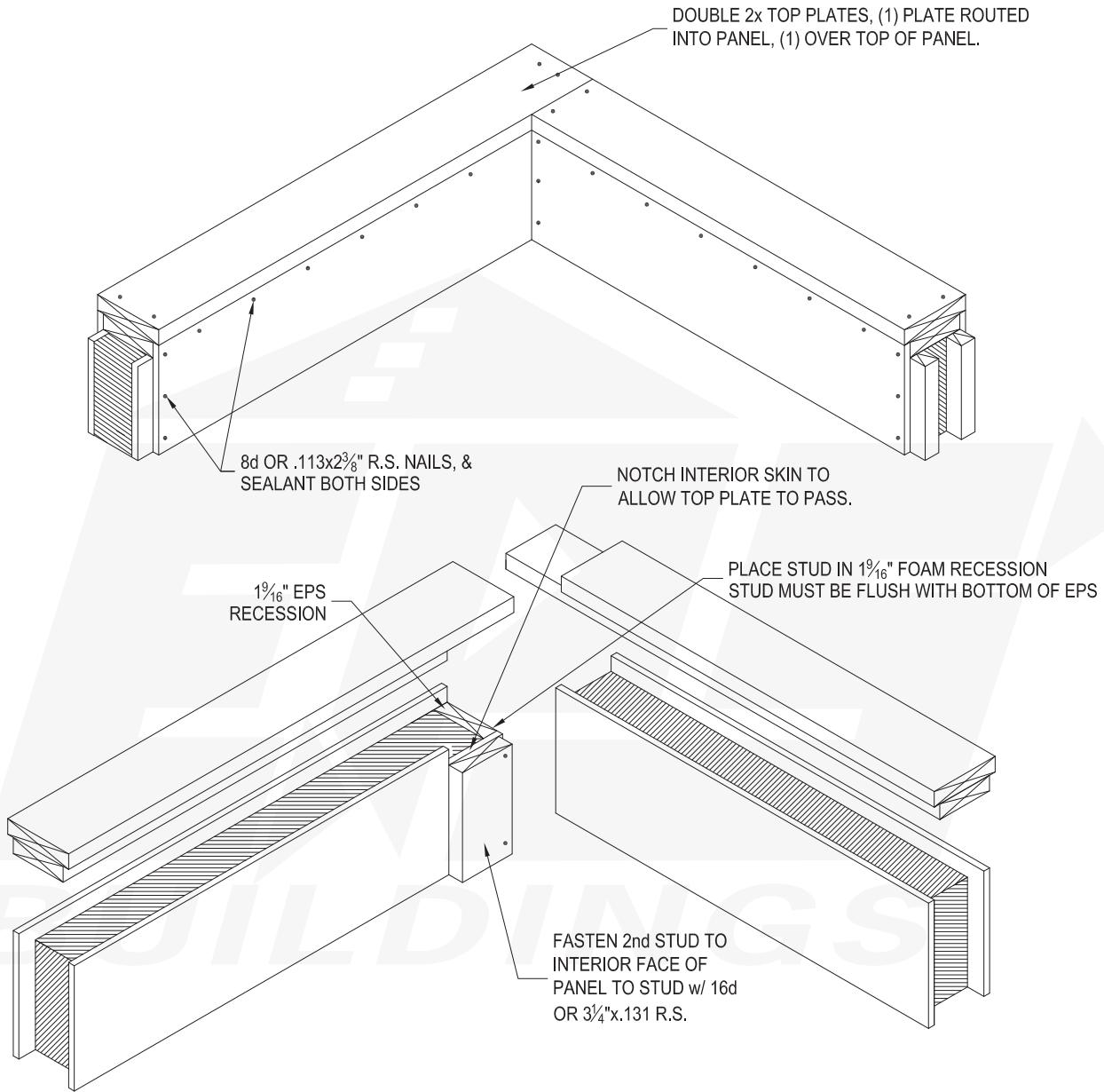
SCALE: N.T.S.

UPDATED: 1/26/16

DETAIL#

WA3

ENERGY PANEL STRUCTURES, 102 EAST INDUSTRIAL PARK, GRAETTINGER, IA 51342
PHONE: (712) 859-3219 FAX: (712) 859-3275 WWW.EPSBUILDINGS.COM



DETAIL: CORNER DETAIL

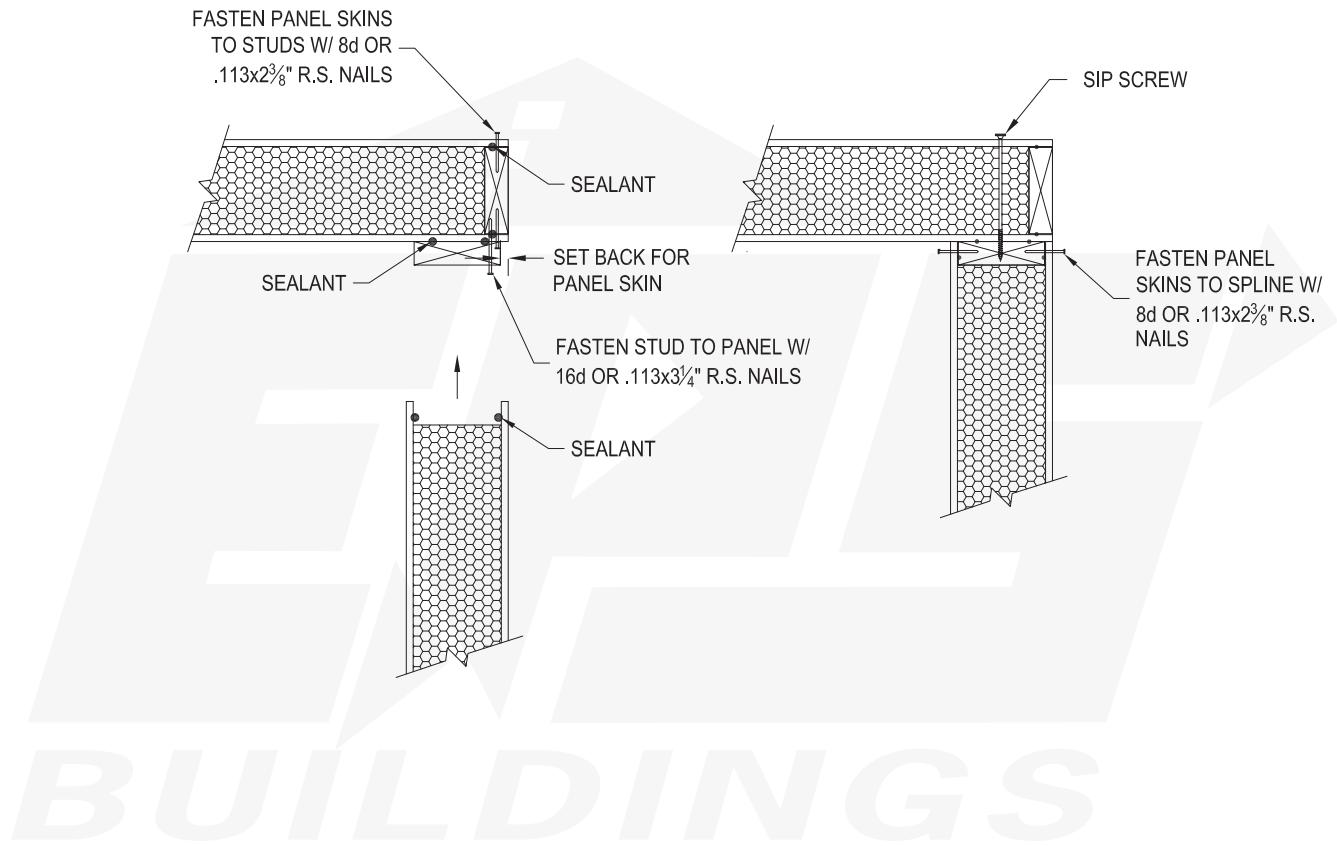
SCALE: N.T.S.

UPDATED: 1/26/16

DETAIL#

CD1

ENERGY PANEL STRUCTURES, 102 EAST INDUSTRIAL PARK, GRAETTINGER, IA 51342
PHONE: (712) 859-3219 FAX: (712) 859-3275 WWW.EPSBUILDINGS.COM



DETAIL: CORNER DETAIL (STANDARD)

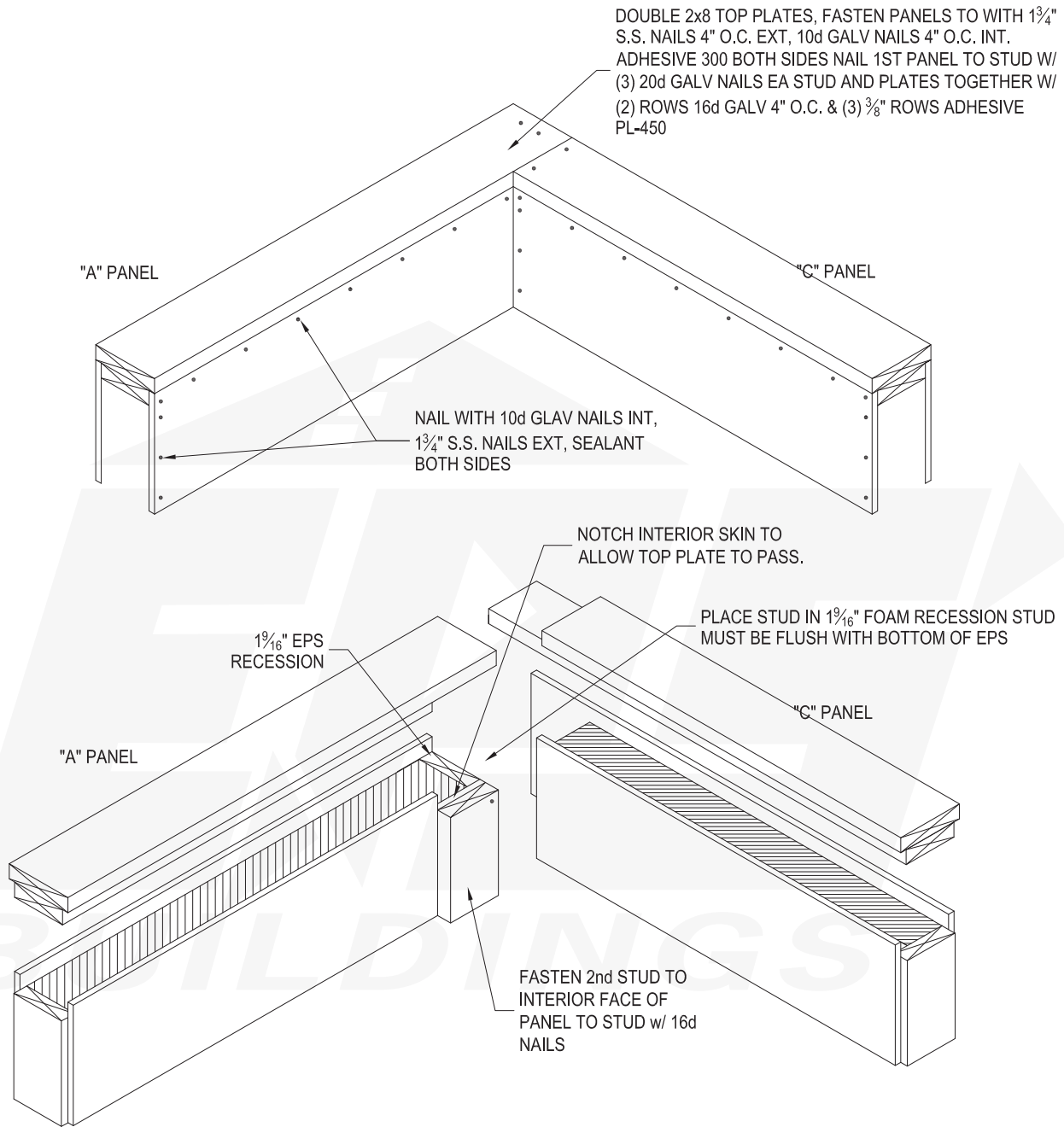
SCALE: N.T.S.

UPDATED: 1/26/16

DETAIL#

CD2

ENERGY PANEL STRUCTURES, 102 EAST INDUSTRIAL PARK, GRAETTINGER, IA 51342
PHONE: (712) 859-3219 FAX: (712) 859-3275 WWW.EPSBUILDINGS.COM



DETAIL: FOUNDATION CORNER DETAIL

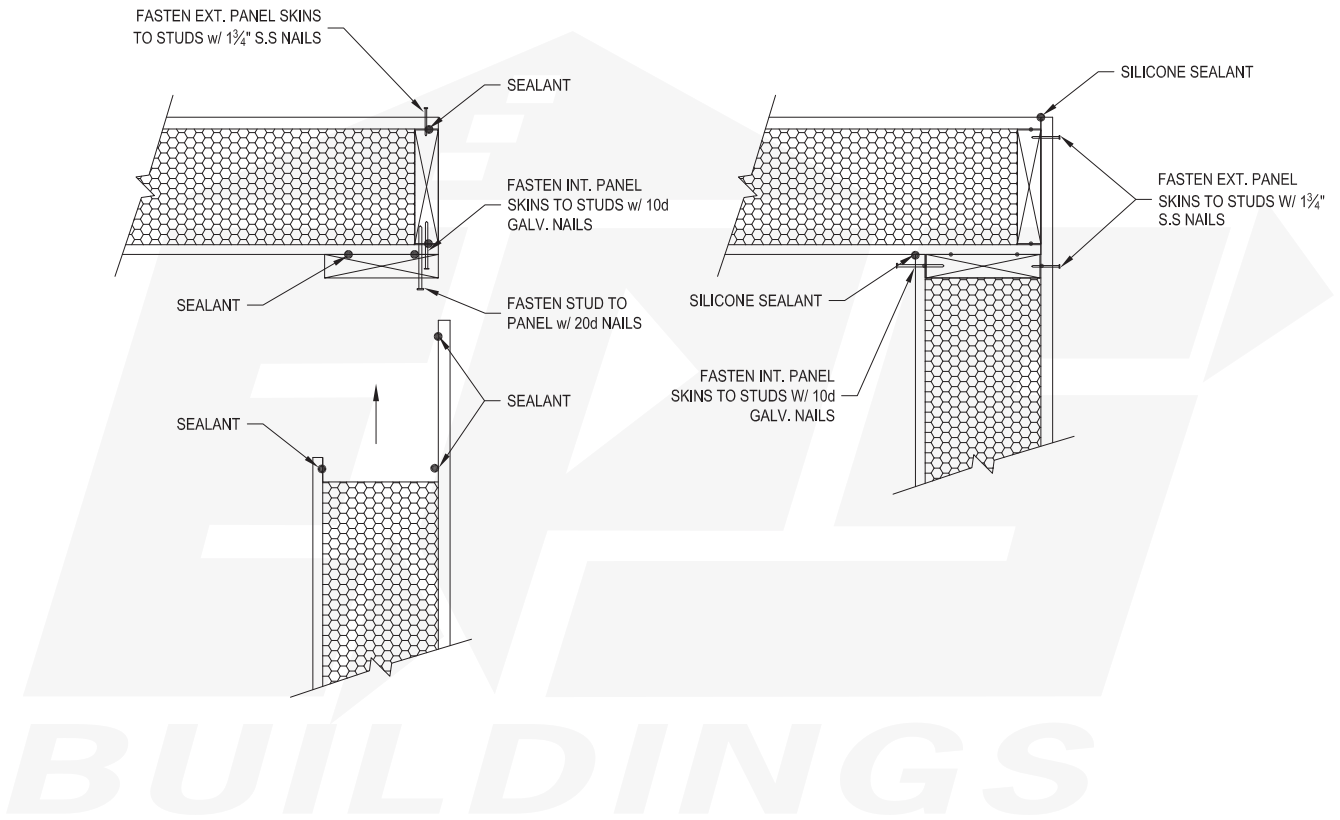
SCALE: N.T.S.

UPDATED: 1/26/16

DETAIL#

CD3

ENERGY PANEL STRUCTURES, 102 EAST INDUSTRIAL PARK, GRAETTINGER, IA 51342
PHONE: (712) 859-3219 FAX: (712) 859-3275 WWW.EPSBUILDINGS.COM



DETAIL: FOUNDATION CORNER DETAIL (STANDARD)

SCALE: N.T.S.

UPDATED: 1/26/16

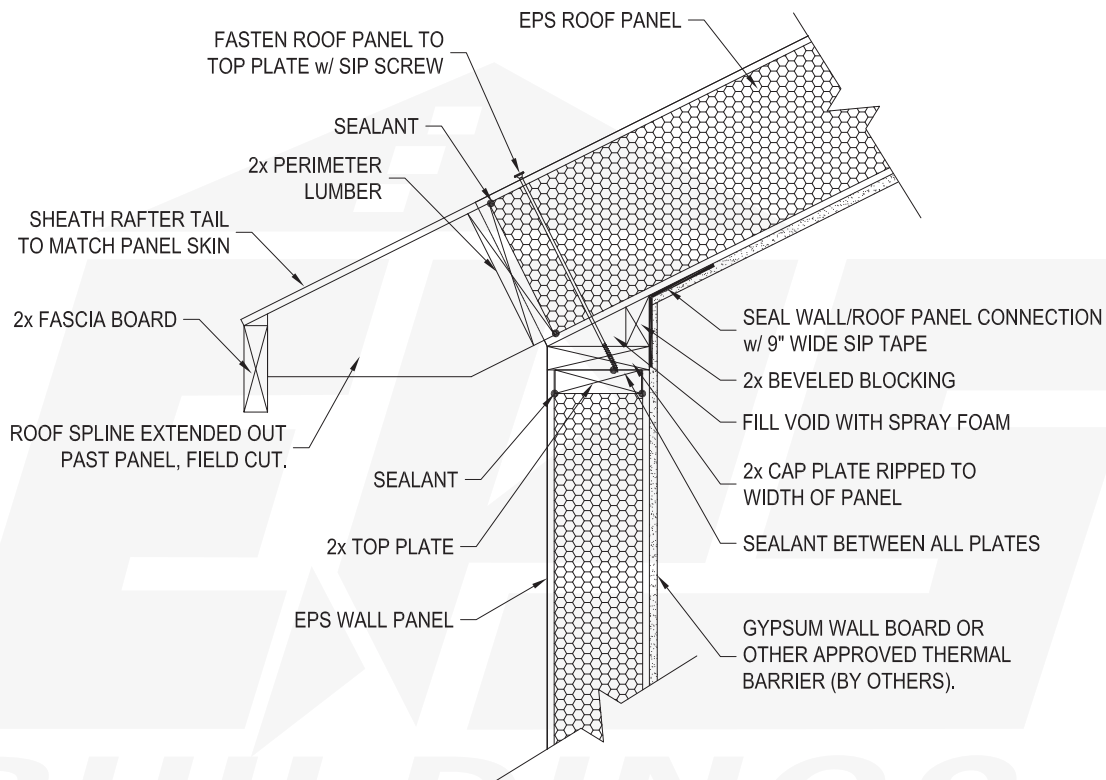
DETAIL#

CD4

ENERGY PANEL STRUCTURES, 102 EAST INDUSTRIAL PARK, GRAETTINGER, IA 51342
PHONE: (712) 859-3219 FAX: (712) 859-3275 WWW.EPSBUILDINGS.COM

NOTE: SEE FASTEN SCHEDULE FOR ALL CONNECTIONS

EPS STANDARD



NOTE: THIS DETAIL CAN ONLY BE USED WITH STRUCTURAL LUMBER SPLINES



DETAIL: DOUBLE TOP PLATE/SQ CUT EAVE/RAFTER PAST

SCALE: N.T.S.

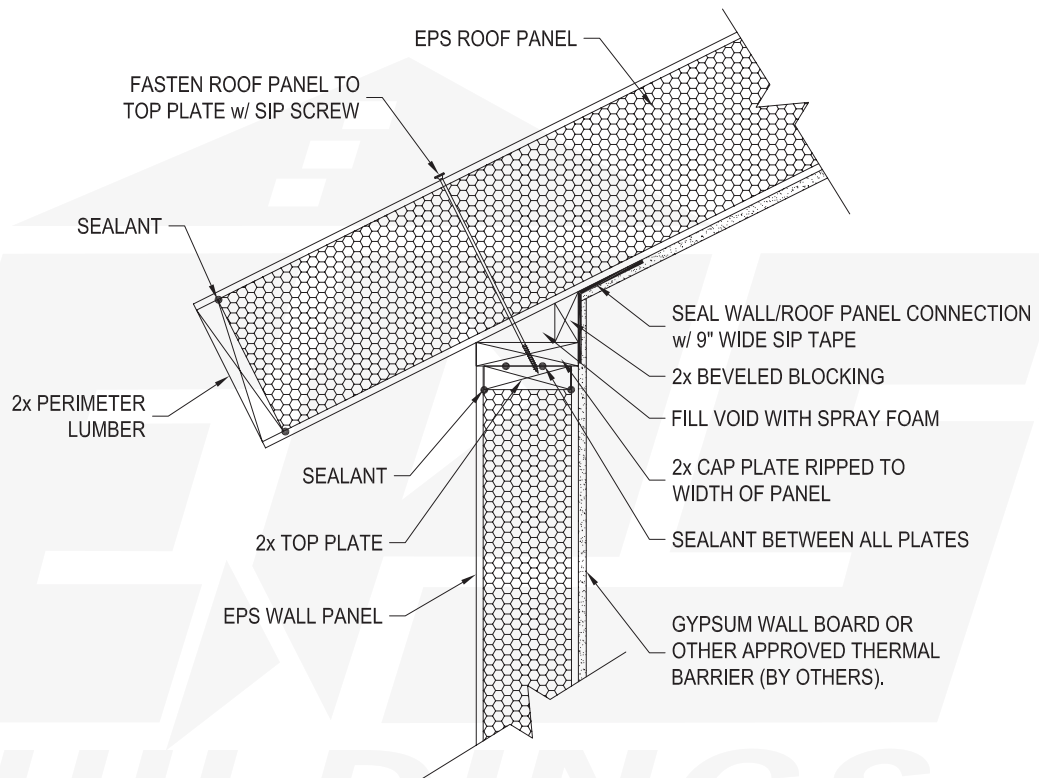
UPDATED: 1/26/16

DETAIL#

RP1

ENERGY PANEL STRUCTURES, 102 EAST INDUSTRIAL PARK, GRAETTINGER, IA 51342
PHONE: (712) 859-3219 FAX: (712) 859-3275 WWW.EPSBUILDINGS.COM

NOTE: SEE FASTEN SCHEDULE FOR ALL CONNECTIONS



DETAIL: DBL. TOP PLATE W/BEVELD BLOCK/SQ CUT EAVE

SCALE: N.T.S.

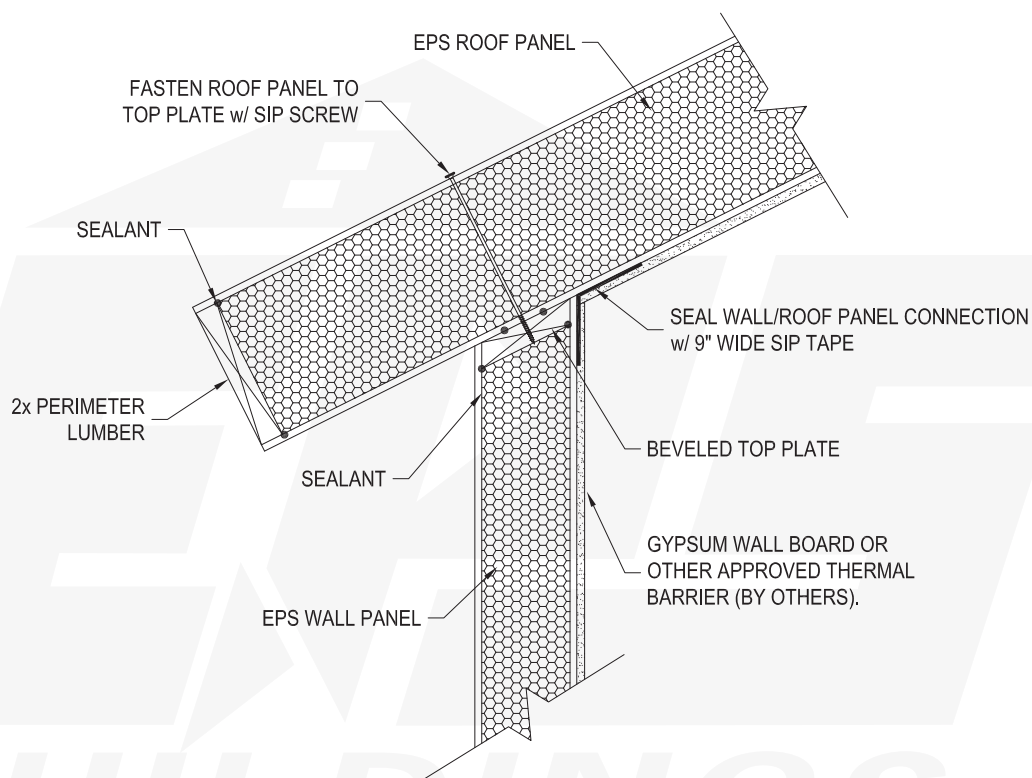
UPDATED: 1/26/16

DETAIL#

RP2

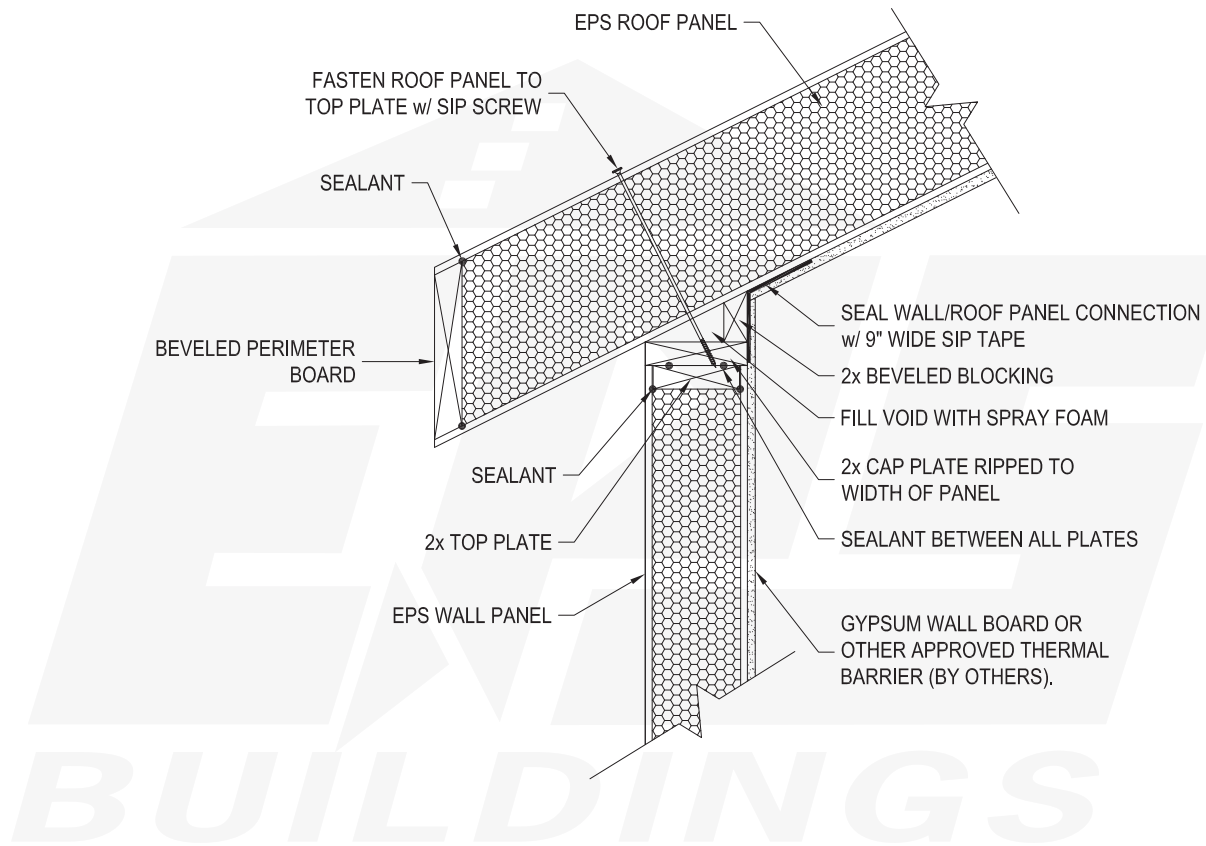
ENERGY PANEL STRUCTURES, 102 EAST INDUSTRIAL PARK, GRAETTINGER, IA 51342
PHONE: (712) 859-3219 FAX: (712) 859-3275 WWW.EPSBUILDINGS.COM

NOTE: SEE FASTEN SCHEDULE FOR ALL CONNECTIONS



DETAIL: BEVELED TOP PLATE/SQ CUT EAVE		DETAIL# RP3
SCALE: N.T.S.		
UPDATED: 1/26/16		
<small>ENERGY PANEL STRUCTURES, 102 EAST INDUSTRIAL PARK, GRAETTINGER, IA 51342 PHONE: (712) 859-3219 FAX: (712) 859-3275 WWW.EPSBUILDINGS.COM</small>		

NOTE: SEE FASTEN SCHEDULE FOR ALL CONNECTIONS



DETAIL: DOUBLE TOP PLATE/PLUMB CUT EAVE

SCALE: N.T.S.

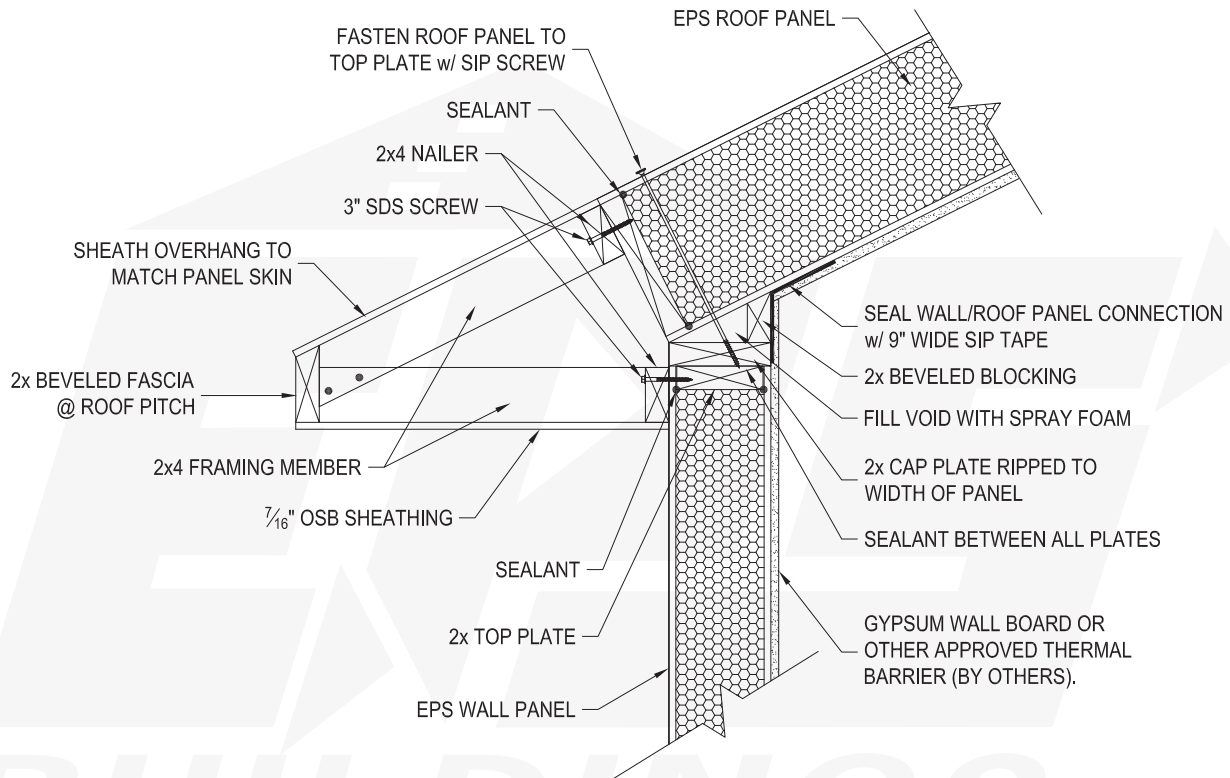
UPDATED: 1/26/16

DETAIL#

RP4

ENERGY PANEL STRUCTURES, 102 EAST INDUSTRIAL PARK, GRAETTINGER, IA 51342
PHONE: (712) 859-3219 FAX: (712) 859-3275 WWW.EPSBUILDINGS.COM

NOTE: SEE FASTEN SCHEDULE FOR ALL CONNECTIONS



DETAIL: DOUBLE TOP PLATE/SQ CUT EAVE/RAFTER PAST

SCALE: N.T.S.

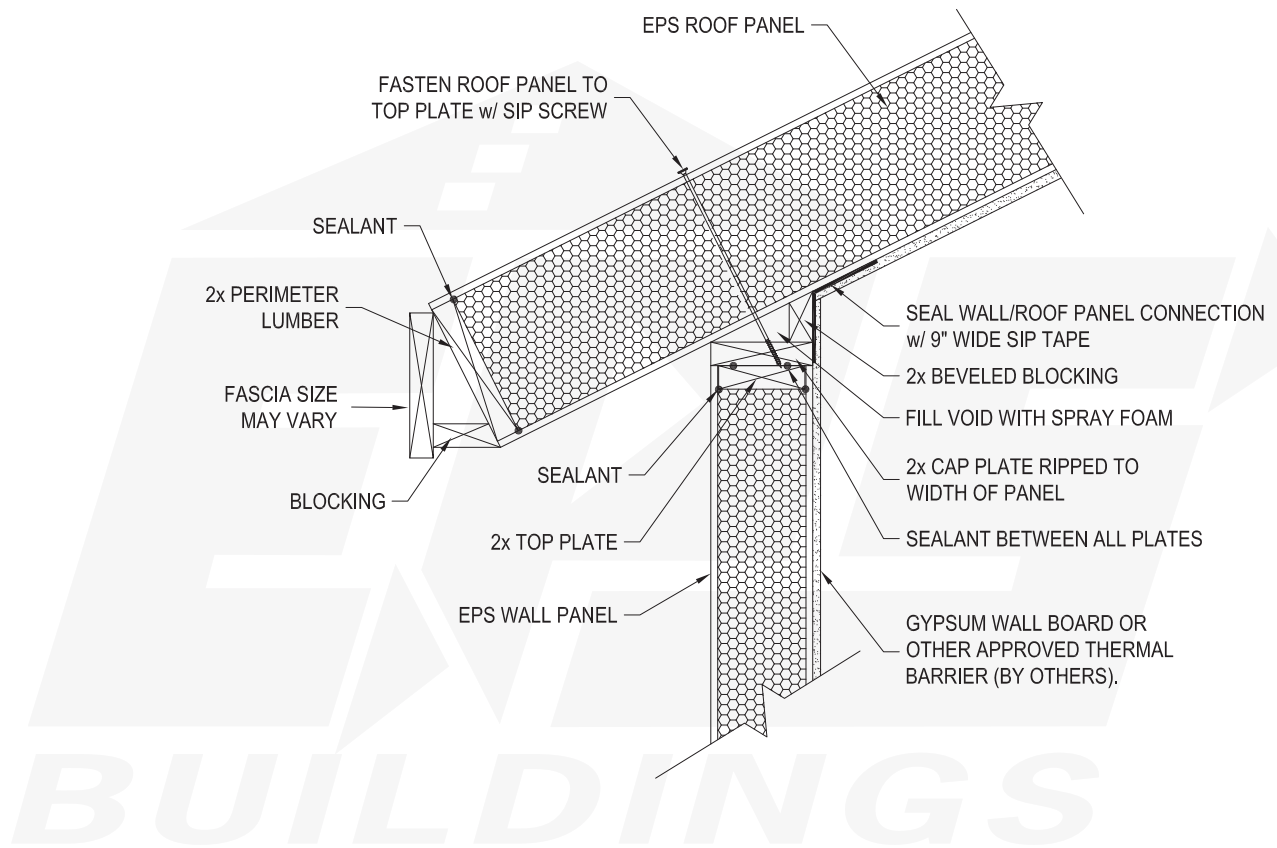
UPDATED: 1/26/16

DETAIL#

RP5

ENERGY PANEL STRUCTURES, 102 EAST INDUSTRIAL PARK, GRAETTINGER, IA 51342
PHONE: (712) 859-3219 FAX: (712) 859-3275 WWW.EPSBUILDINGS.COM

NOTE: SEE FASTEN SCHEDULE FOR ALL CONNECTIONS



DETAIL: DOUBLE TOP PLATE/SQ CUT EAVE

SCALE: N.T.S.

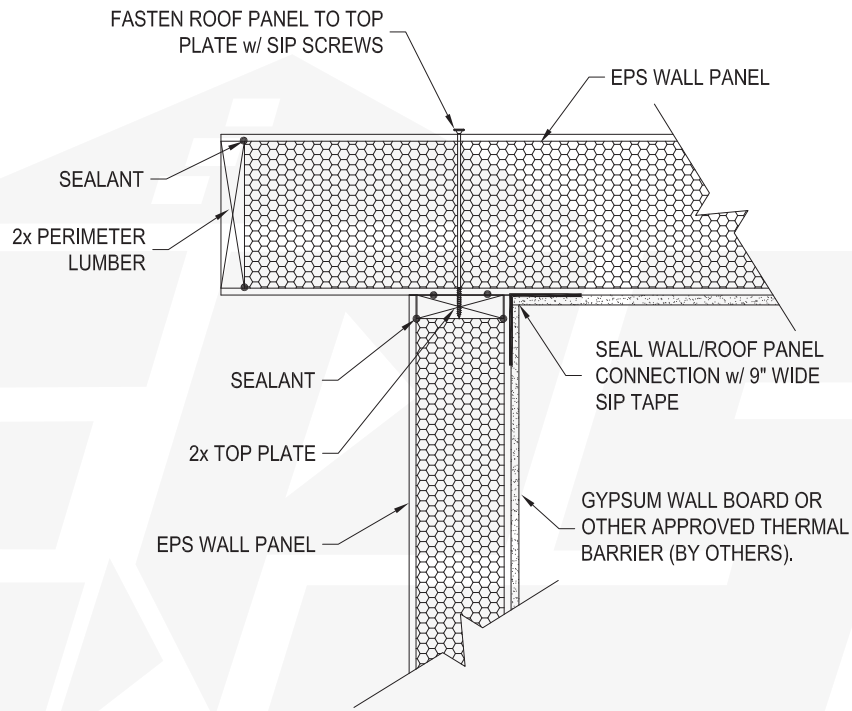
UPDATED: 1/26/16

DETAIL#

RP6

ENERGY PANEL STRUCTURES, 102 EAST INDUSTRIAL PARK, GRAETTINGER, IA 51342
PHONE: (712) 859-3219 FAX: (712) 859-3275 WWW.EPSBUILDINGS.COM

NOTE: SEE FASTEN SCHEDULE FOR ALL CONNECTIONS



EPS BUILDINGS



DETAIL: WALL PANEL/ROOF PANEL RAKE EXT.

SCALE: N.T.S.

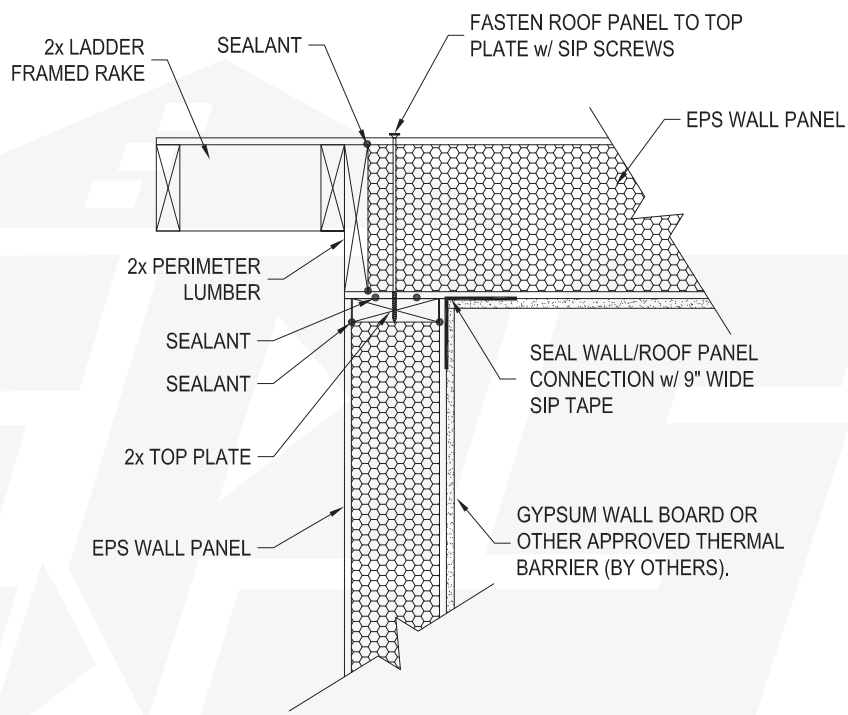
UPDATED: 1/26/16

DETAIL#

RP7

ENERGY PANEL STRUCTURES, 102 EAST INDUSTRIAL PARK, GRAETTINGER, IA 51342
PHONE: (712) 859-3219 FAX: (712) 859-3275 WWW.EPSBUILDINGS.COM

NOTE: SEE FASTEN SCHEDULE FOR ALL CONNECTIONS



EPS BUILDINGS

NOTE: 1'-0" MAXIMUM RAKE EXTENSION



DETAIL: WALL PANEL/ROOF "C" PANEL W/ LADDER RAKE

SCALE: N.T.S.

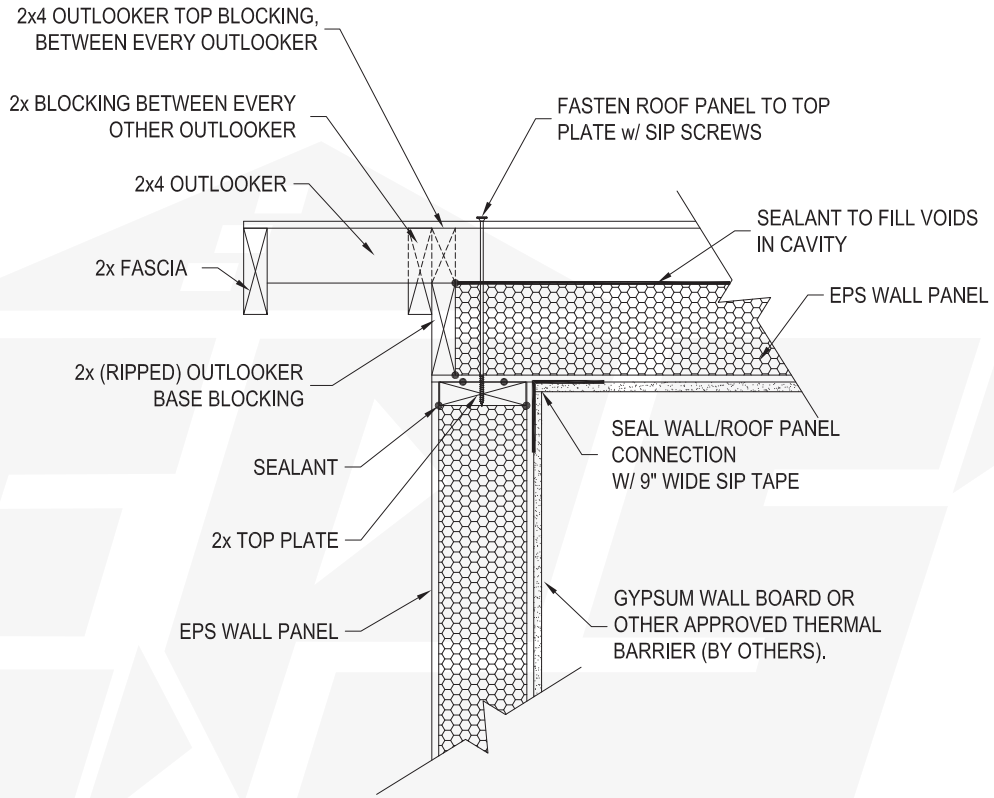
UPDATED: 1/26/16

DETAIL#

RP8

ENERGY PANEL STRUCTURES, 102 EAST INDUSTRIAL PARK, GRAETTINGER, IA 51342
PHONE: (712) 859-3219 FAX: (712) 859-3275 WWW.EPSBUILDINGS.COM

NOTE: SEE FASTEN SCHEDULE FOR ALL CONNECTIONS



BUILDINGS



DETAIL: WALL PANEL/ROOF PANEL W/ OUTLOOKER

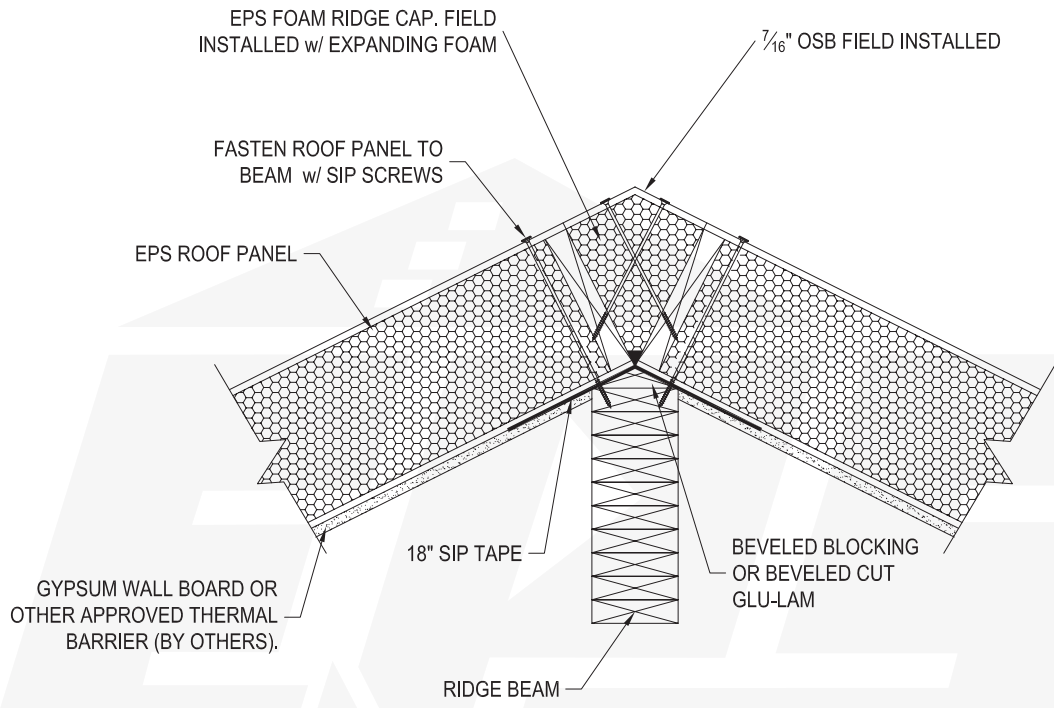
SCALE: N.T.S.

UPDATED: 1/26/16

DETAIL#

RP9

ENERGY PANEL STRUCTURES, 102 EAST INDUSTRIAL PARK, GRAETTINGER, IA 51342
PHONE: (712) 859-3219 FAX: (712) 859-3275 WWW.EPSBUILDINGS.COM



BUILDINGS

NOTE: CHECK WITH EPS ON BEVELED GLU-LAM AVAILABILITY



DETAIL: ROOF PANEL/RIDGE BEAM/FOAM CAP

SCALE: N.T.S.

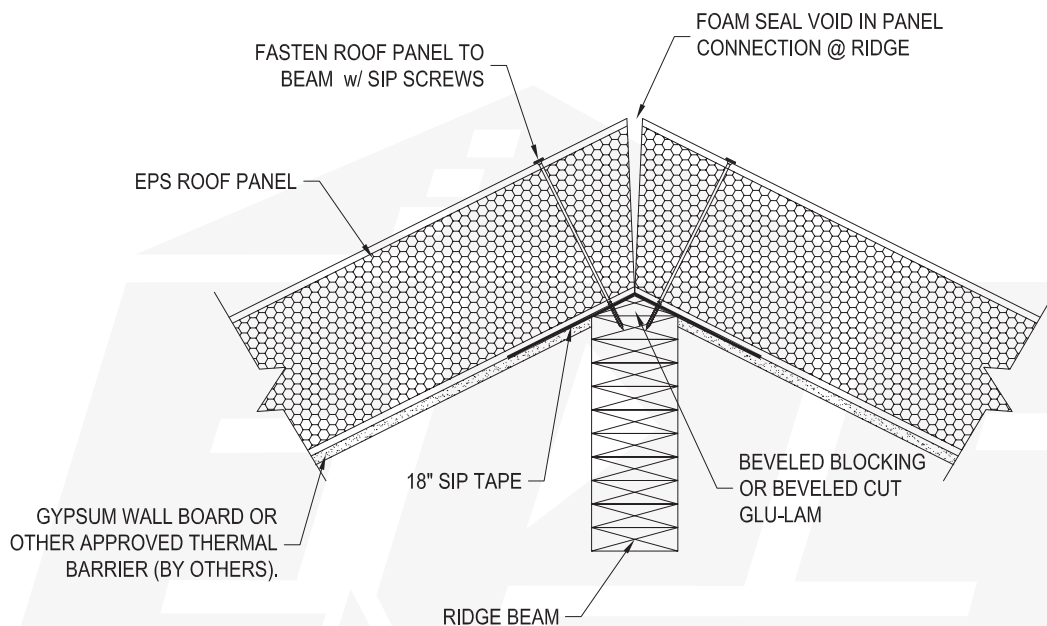
UPDATED: 1/26/16

DETAIL#

RB0

ENERGY PANEL STRUCTURES, 102 EAST INDUSTRIAL PARK, GRAETTINGER, IA 51342
PHONE: (712) 859-3219 FAX: (712) 859-3275 WWW.EPSBUILDINGS.COM

NOTE: SEE FASTEN SCHEDULE FOR ALL CONNECTIONS



BUILDINGS

NOTE: CHECK WITH EPS ON BEVELED GLU-LAM AVAILABILITY



DETAIL: ROOF PANEL/RIDGE BEAM

SCALE: N.T.S.

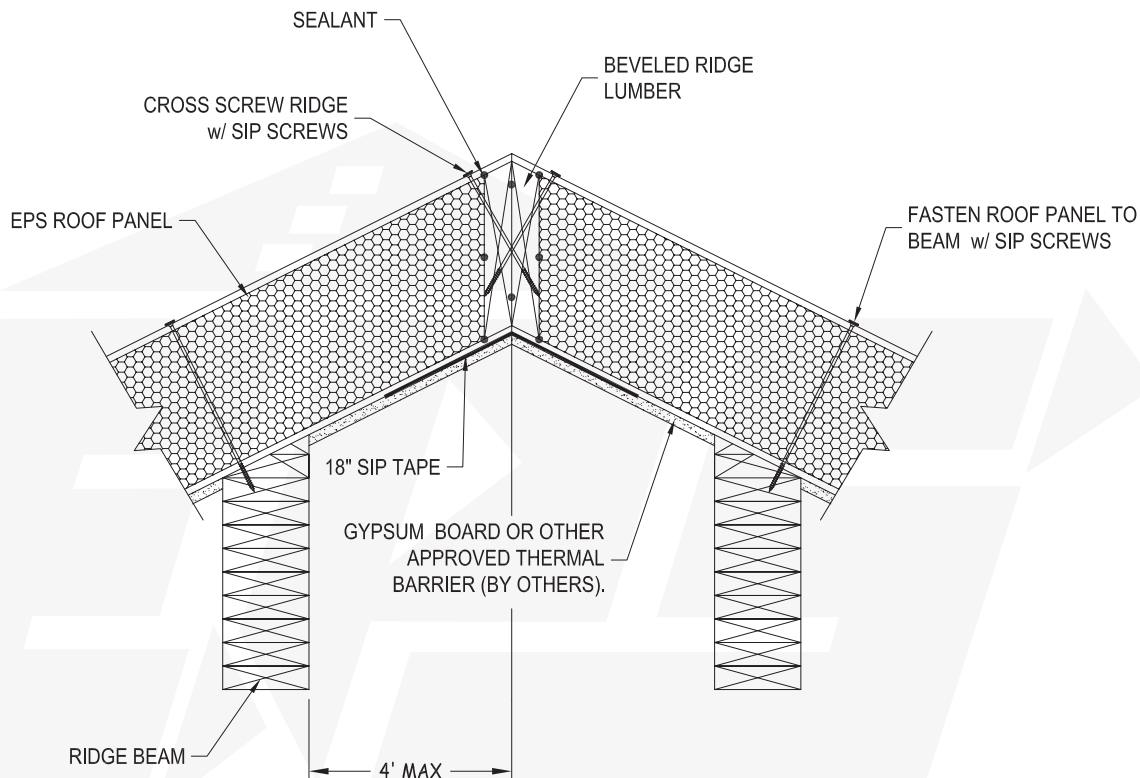
UPDATED: 1/26/16

DETAIL#

RB1

ENERGY PANEL STRUCTURES, 102 EAST INDUSTRIAL PARK, GRAETTINGER, IA 51342
PHONE: (712) 859-3219 FAX: (712) 859-3275 WWW.EPSBUILDINGS.COM

NOTE: SEE FASTEN SCHEDULE FOR ALL CONNECTIONS



NOTE: CHECK WITH EPS ON BEVELED GLU-LAM AVAILABILITY



DETAIL: ROOF PANEL W/ LUMBER/RIDGE BEAM

SCALE: N.T.S.

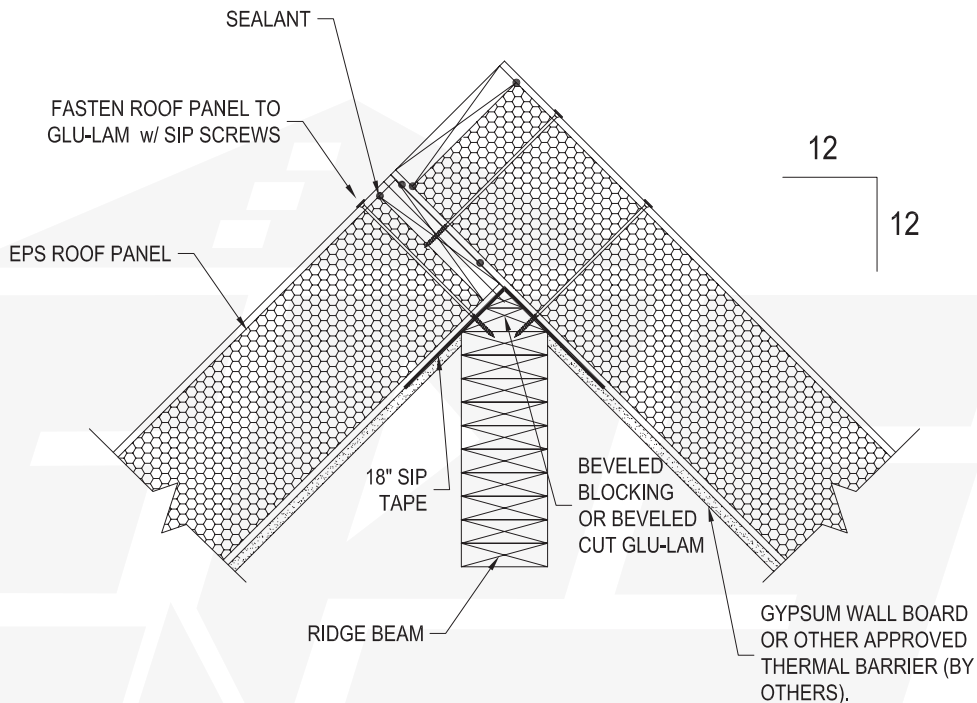
UPDATED: 1/26/16

DETAIL#

RB2

ENERGY PANEL STRUCTURES, 102 EAST INDUSTRIAL PARK, GRAETTINGER, IA 51342
PHONE: (712) 859-3219 FAX: (712) 859-3275 WWW.EPSBUILDINGS.COM

NOTE: SEE FASTEN SCHEDULE FOR ALL CONNECTIONS



BUILDINGS

NOTE: CHECK WITH EPS ON BEVELED GLU-LAM AVAILABILITY



DETAIL: ROOF PANEL OVERLAY/RIDGE BEAM

SCALE: N.T.S.

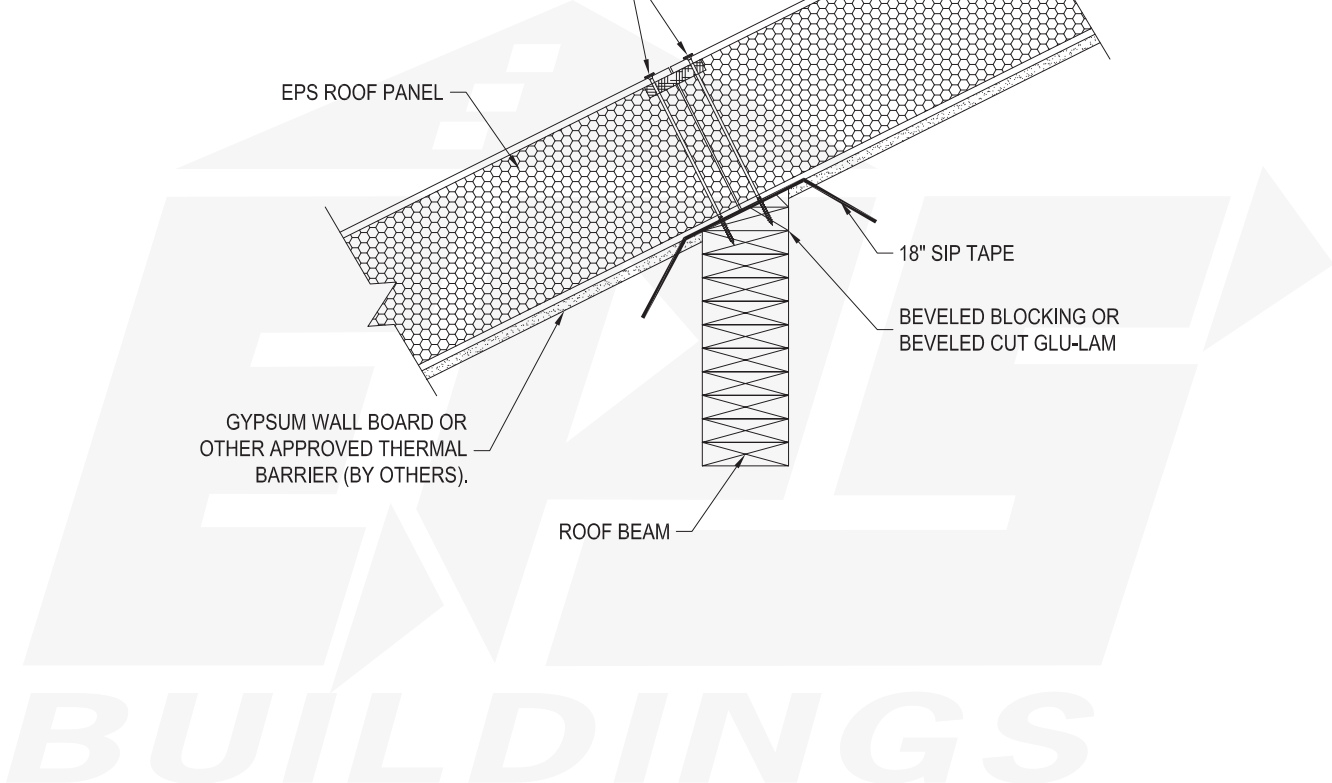
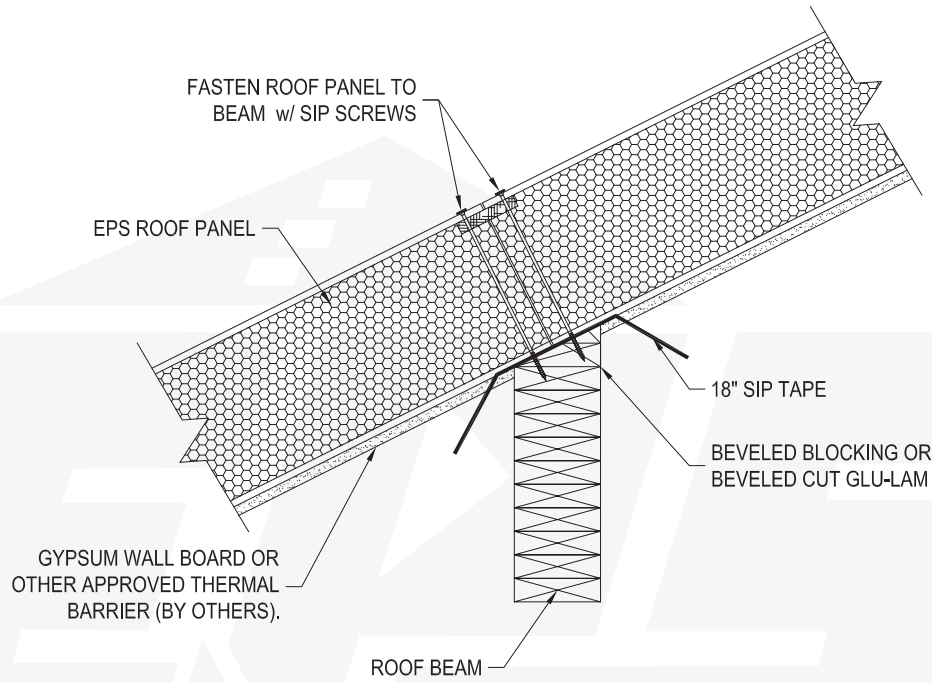
UPDATED: 1/26/16

DETAIL#

RB3

ENERGY PANEL STRUCTURES, 102 EAST INDUSTRIAL PARK, GRAETTINGER, IA 51342
PHONE: (712) 859-3219 FAX: (712) 859-3275 WWW.EPSBUILDINGS.COM

NOTE: SEE FASTEN SCHEDULE FOR ALL CONNECTIONS



NOTE: CHECK WITH EPS ON BEVELED GLU-LAM AVAILABILITY



DETAIL: ROOF PANEL SPLINE AT MIDSPAN BEAM

SCALE: N.T.S.

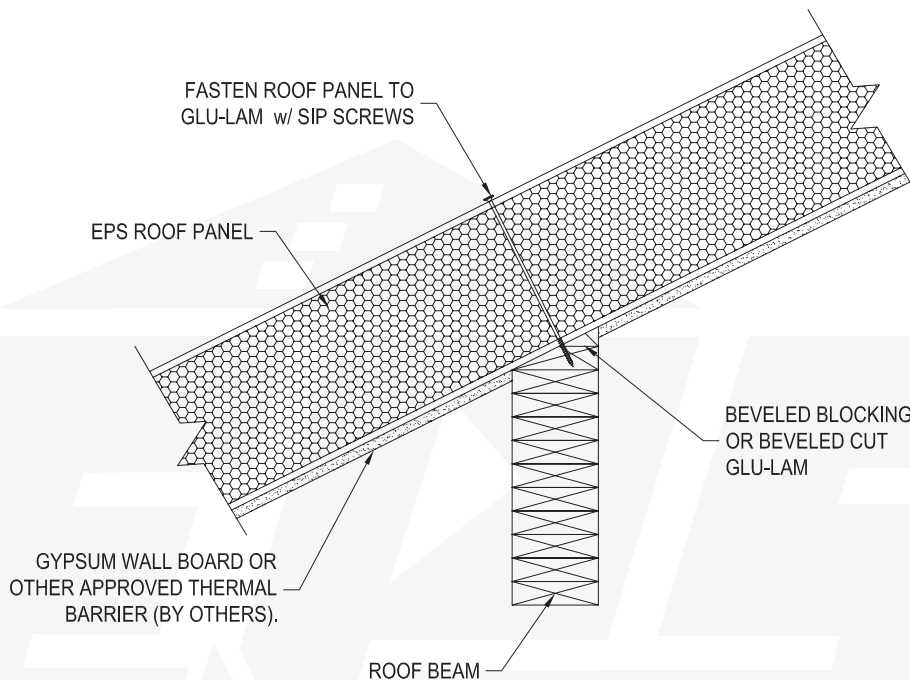
UPDATED: 1/26/16

DETAIL#

RB4

ENERGY PANEL STRUCTURES, 102 EAST INDUSTRIAL PARK, GRAETTINGER, IA 51342
PHONE: (712) 859-3219 FAX: (712) 859-3275 WWW.EPSBUILDINGS.COM

NOTE: SEE FASTEN SCHEDULE FOR ALL CONNECTIONS



NOTE: CHECK WITH EPS ON BEVELED GLU-LAM AVAILABILITY



DETAIL: ROOF PANEL/MIDSPAN BEAM

SCALE: N.T.S.

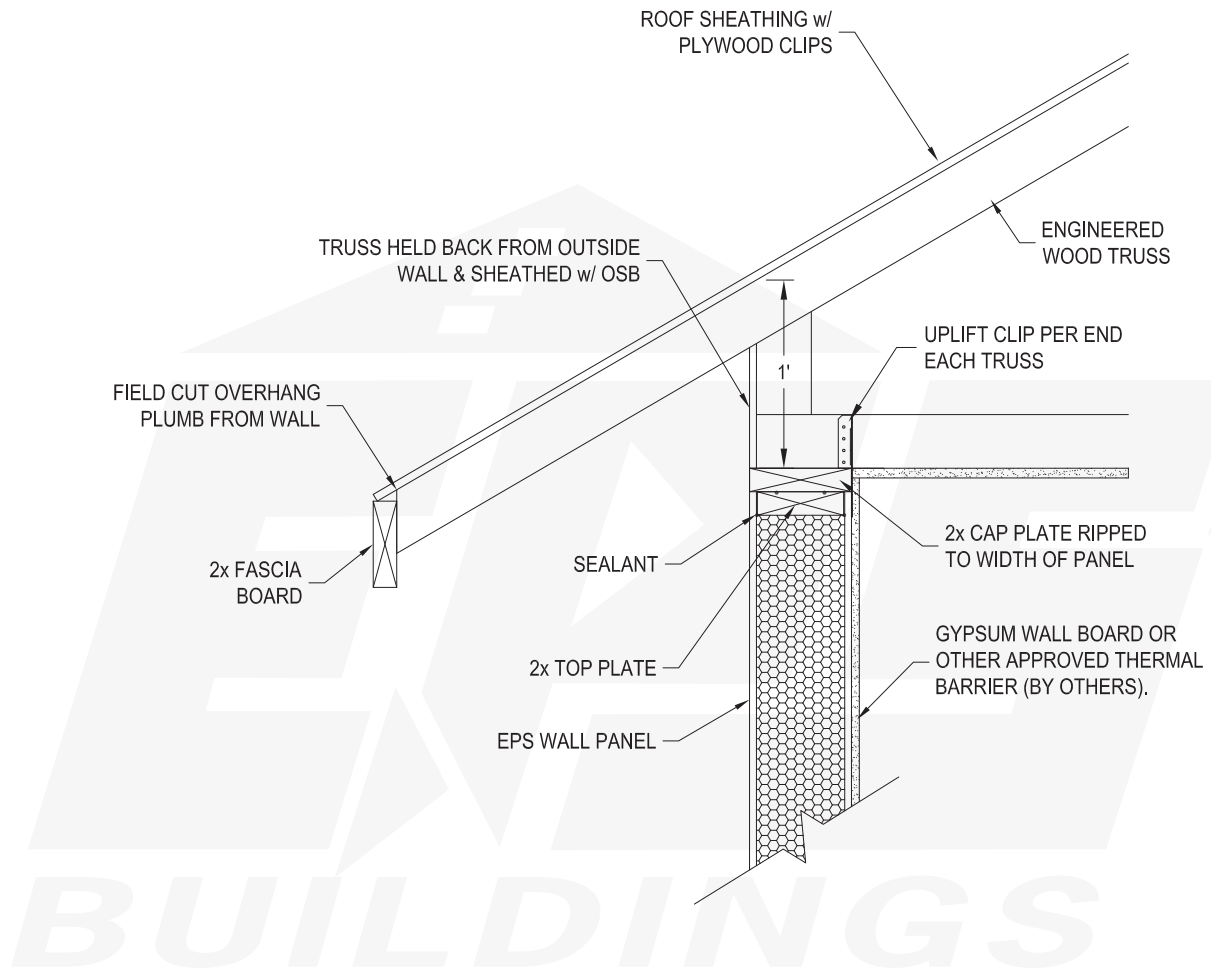
UPDATED: 1/26/16

DETAIL#

RB5

ENERGY PANEL STRUCTURES, 102 EAST INDUSTRIAL PARK, GRAETTINGER, IA 51342
PHONE: (712) 859-3219 FAX: (712) 859-3275 WWW.EPSBUILDINGS.COM

NOTE: SEE FASTEN SCHEDULE FOR ALL CONNECTIONS



BUILDINGS



DETAIL: DBL. TOP PLATE/TYPICAL ROOF TRUSS

SCALE: N.T.S.

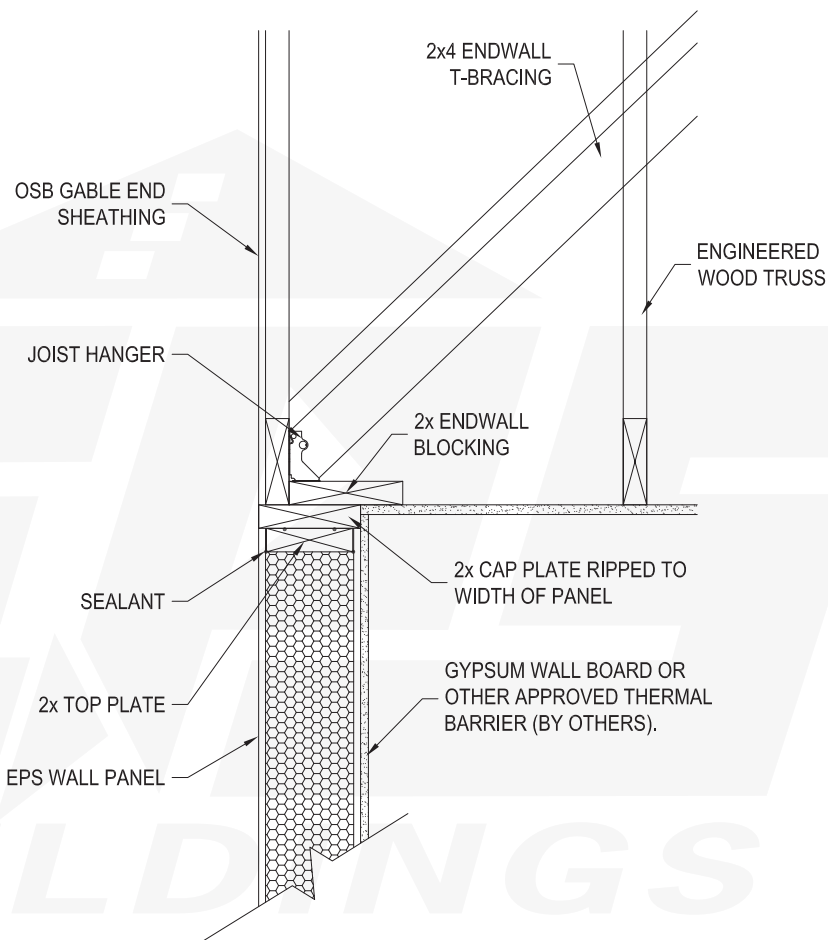
UPDATED: 1/26/16

DETAIL#

RT1

ENERGY PANEL STRUCTURES, 102 EAST INDUSTRIAL PARK, GRAETTINGER, IA 51342
PHONE: (712) 859-3219 FAX: (712) 859-3275 WWW.EPSBUILDINGS.COM

NOTE: SEE FASTEN SCHEDULE FOR ALL CONNECTIONS



DETAIL: DBL. TOP PLATE/TYPICAL ENDWALL ROOF TRUSS

SCALE: N.T.S.

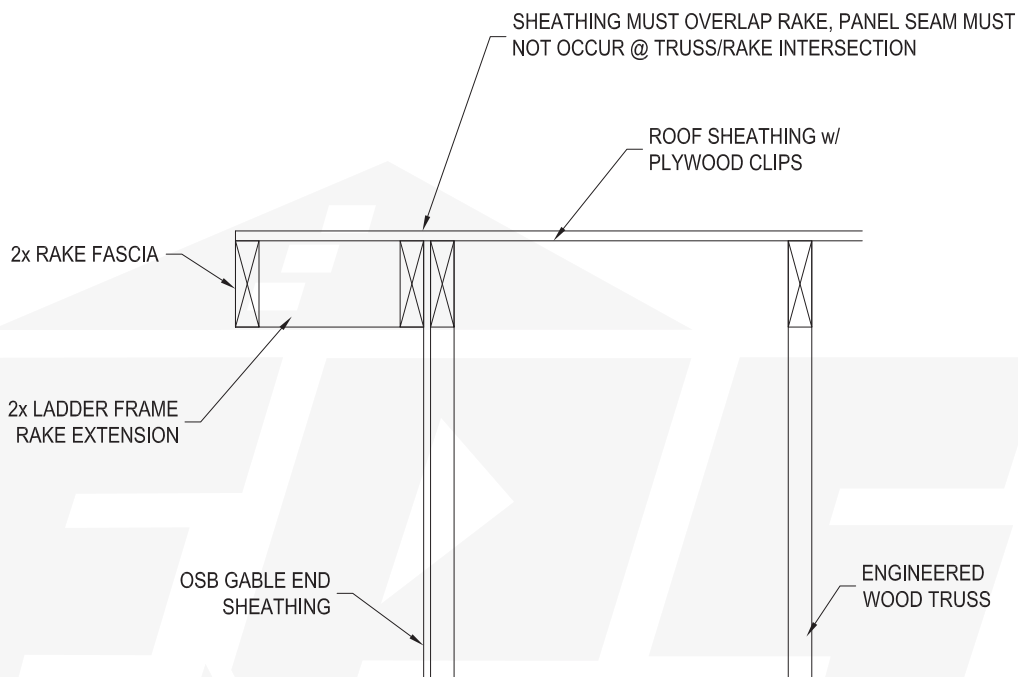
UPDATED: 1/26/16

DETAIL#

RT2

ENERGY PANEL STRUCTURES, 102 EAST INDUSTRIAL PARK, GRAETTINGER, IA 51342
PHONE: (712) 859-3219 FAX: (712) 859-3275 WWW.EPSBUILDINGS.COM

NOTE: SEE FASTEN SCHEDULE FOR ALL CONNECTIONS



NOTE: 1'-0" MAXIMUM RAKE EXTENSION



DETAIL: TYPICAL ROOF TRUSS RAKE

SCALE: N.T.S.

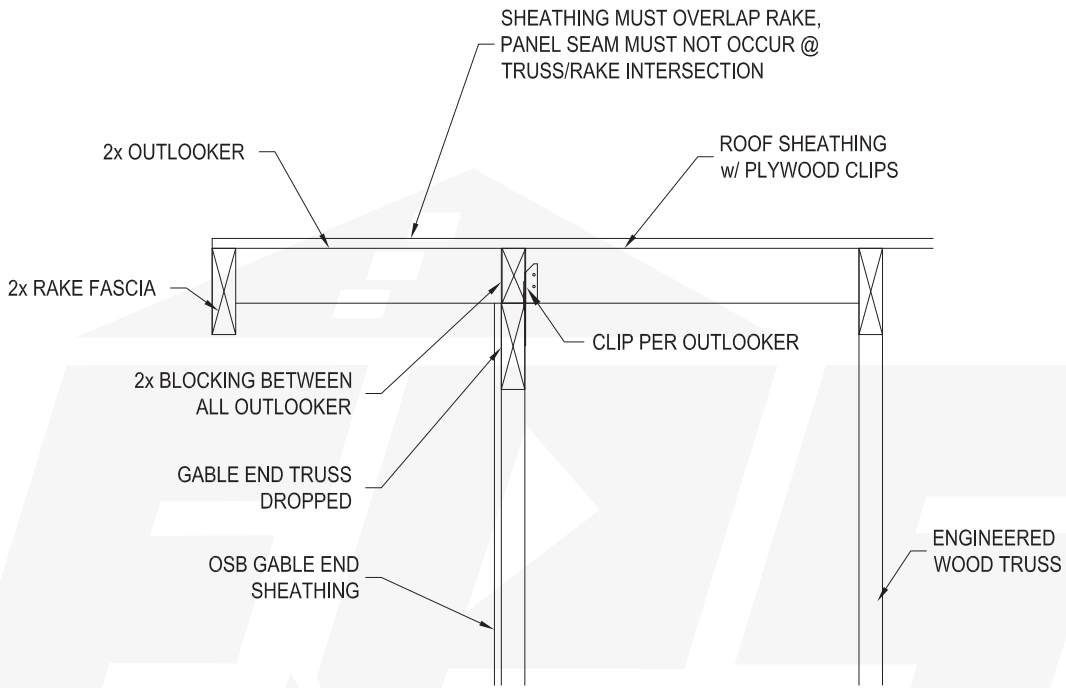
UPDATED: 1/26/16

DETAIL#

RT3

ENERGY PANEL STRUCTURES, 102 EAST INDUSTRIAL PARK, GRAETTINGER, IA 51342
 PHONE: (712) 859-3219 FAX: (712) 859-3275 WWW.EPSBUILDINGS.COM

NOTE: SEE FASTEN SCHEDULE FOR ALL CONNECTIONS

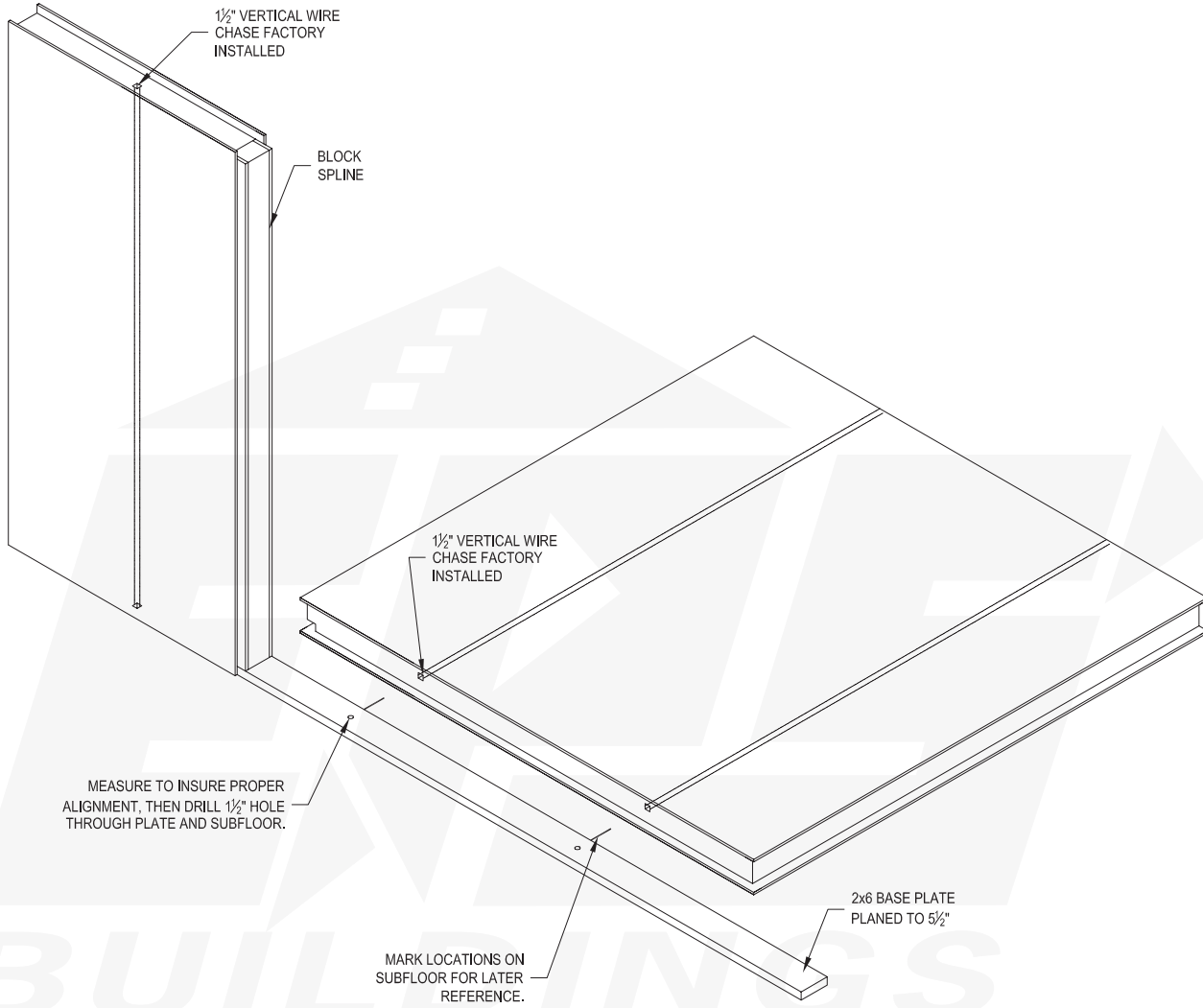


BUILDINGS



DETAIL: TYPICAL ROOF DROPPED TRUSS		DETAIL# RT4
SCALE: N.T.S.		
UPDATED: 1/26/16		
ENERGY PANEL STRUCTURES, 102 EAST INDUSTRIAL PARK, GRAETTINGER, IA 51342 PHONE: (712) 859-3219 FAX: (712) 859-3275 WWW.EPSBUILDINGS.COM		

NOTE: HOLES MUST BE DRILLED INTO TOP AND BOTTOM PLATES TO GIVE ACCESS TO CHASES AFTER PANELS ARE SET.



NOTE: IF PANELS RUN PAST FLOOR YOU MAY NEED TO MARK THE SILL PLATE FOR LATER REFERENCE



DETAIL: VERTICAL WIRE CHASE ALIGNMENT

SCALE: N.T.S.

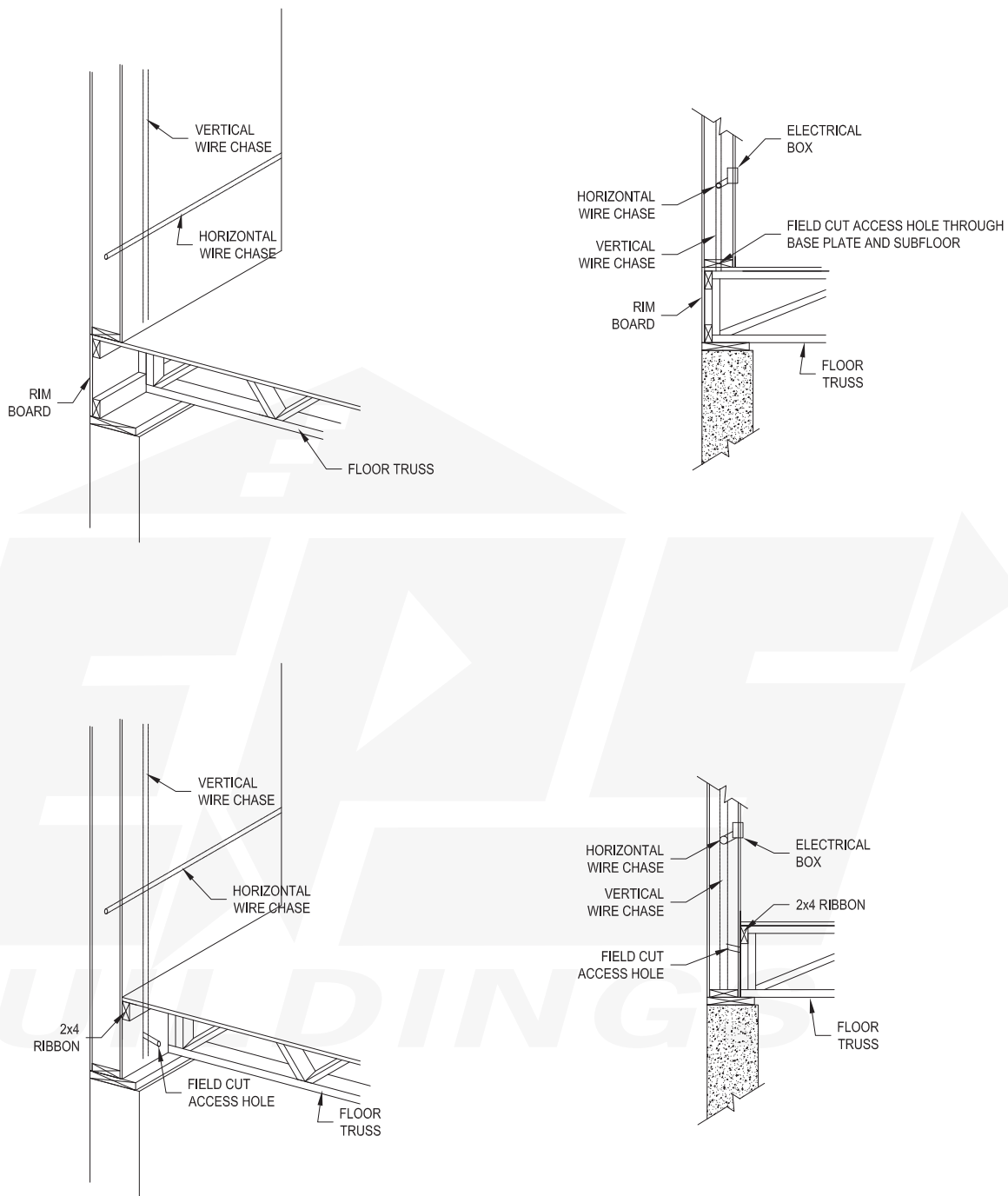
UPDATED: 1/26/16

DETAIL#

WC2

ENERGY PANEL STRUCTURES, 102 EAST INDUSTRIAL PARK, GRAETTINGER, IA 51342
PHONE: (712) 859-3219 FAX: (712) 859-3275 WWW.EPSBUILDINGS.COM

NOTE: HOLES MUST BE DRILLED INTO TOP AND BOTTOM PLATES TO GIVE ACCESS TO CHASES AFTER PANELS ARE SET.



DETAIL: VERTICAL WIRE CHASE ALIGNMENT

SCALE: N.T.S.

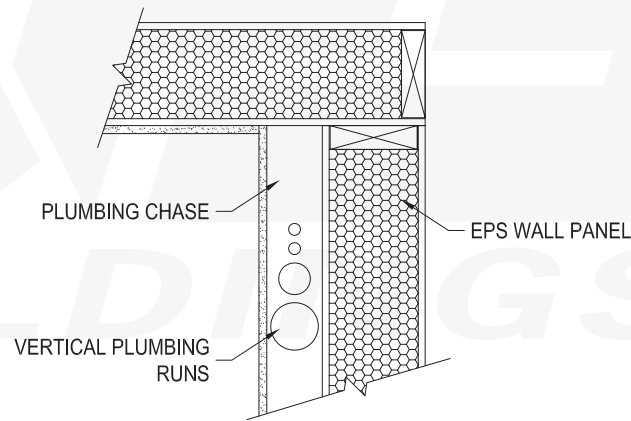
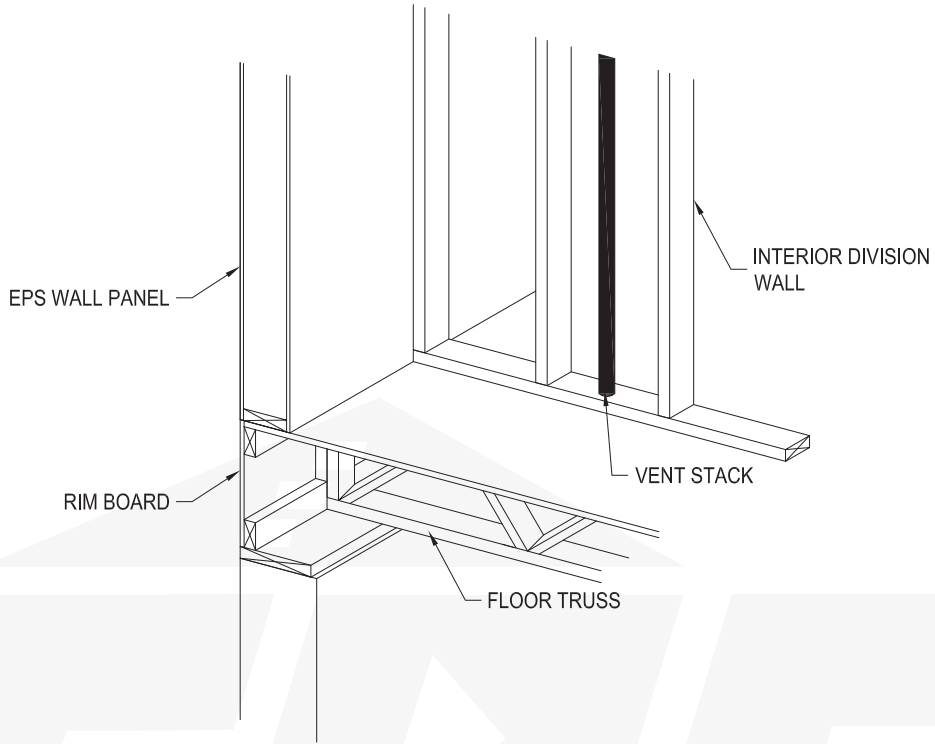
UPDATED: 1/26/16

DETAIL#

WC3

ENERGY PANEL STRUCTURES, 102 EAST INDUSTRIAL PARK, GRAETTINGER, IA 51342
PHONE: (712) 859-3219 FAX: (712) 859-3275 WWW.EPSBUILDINGS.COM

NOTE: RUNNING PLUMBING LINES IN SIP WALLS IS NOT RECOMMENDED



DETAIL: PLUMBING DETAIL

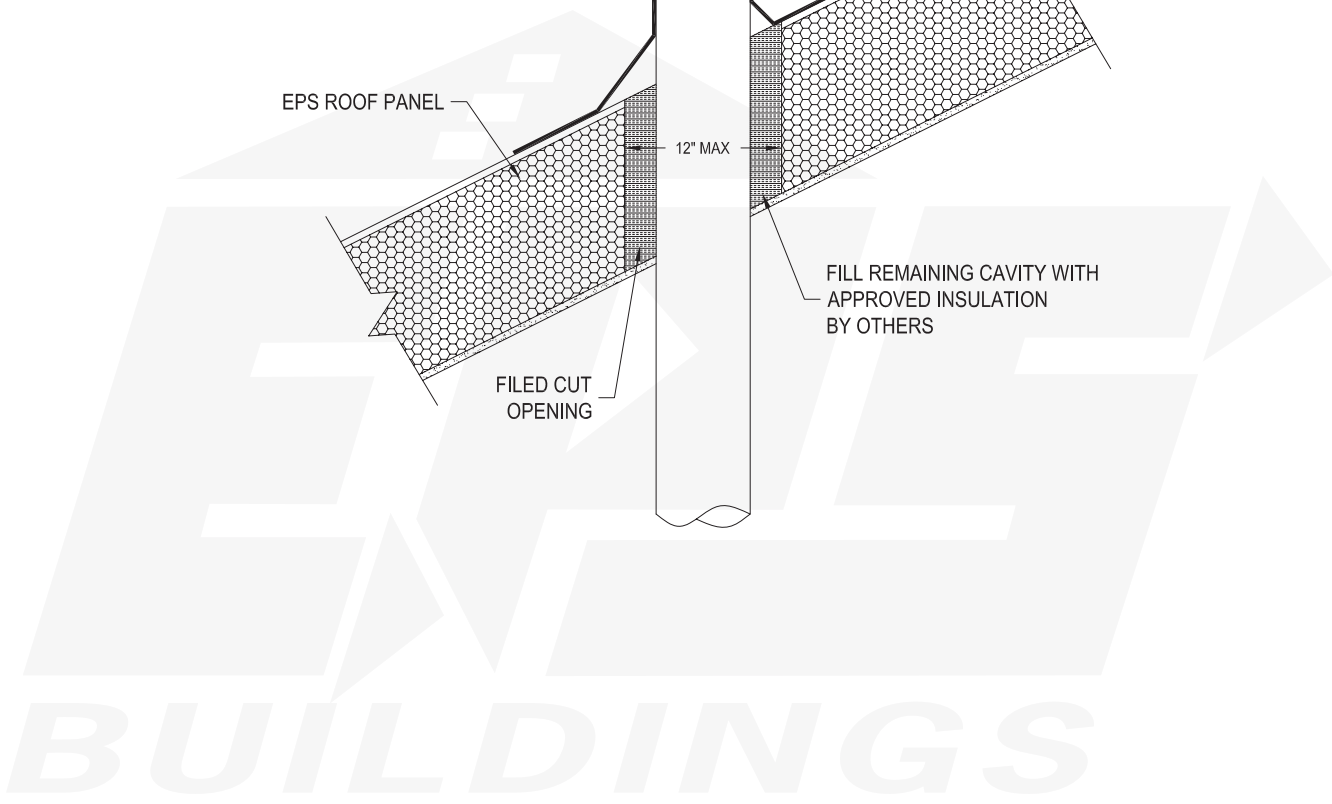
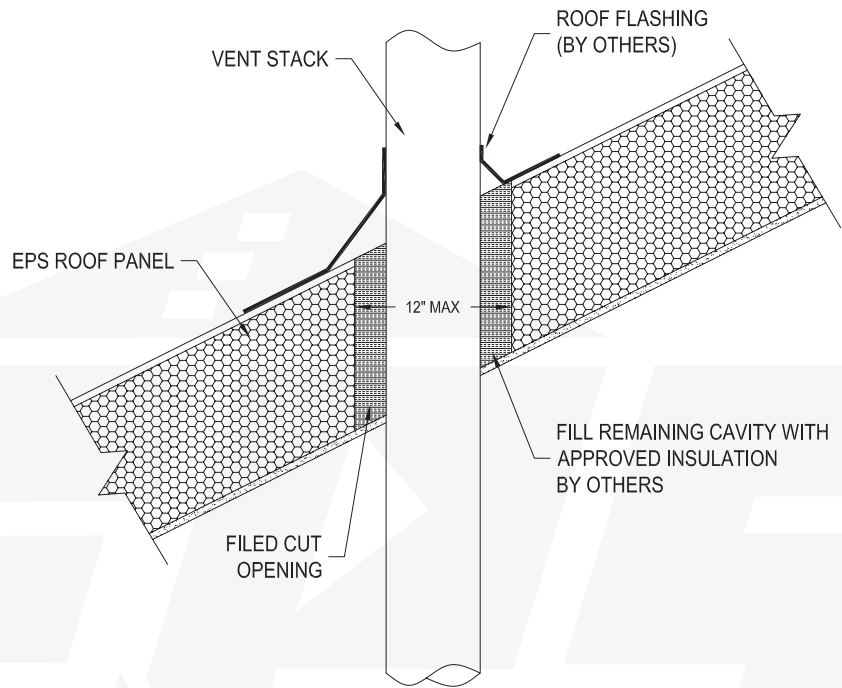
SCALE: N.T.S.

UPDATED: 1/26/16

DETAIL#

PL1

ENERGY PANEL STRUCTURES, 102 EAST INDUSTRIAL PARK, GRAETTINGER, IA 51342
PHONE: (712) 859-3219 FAX: (712) 859-3275 WWW.EPSBUILDINGS.COM



NOTE: HIGH TEMPERATURE INSULATION IS REQUIRED IN ANY APPLICATION WHERE TEMPERATURES EXCEED 160° F.



DETAIL: ROOF PENETRATION

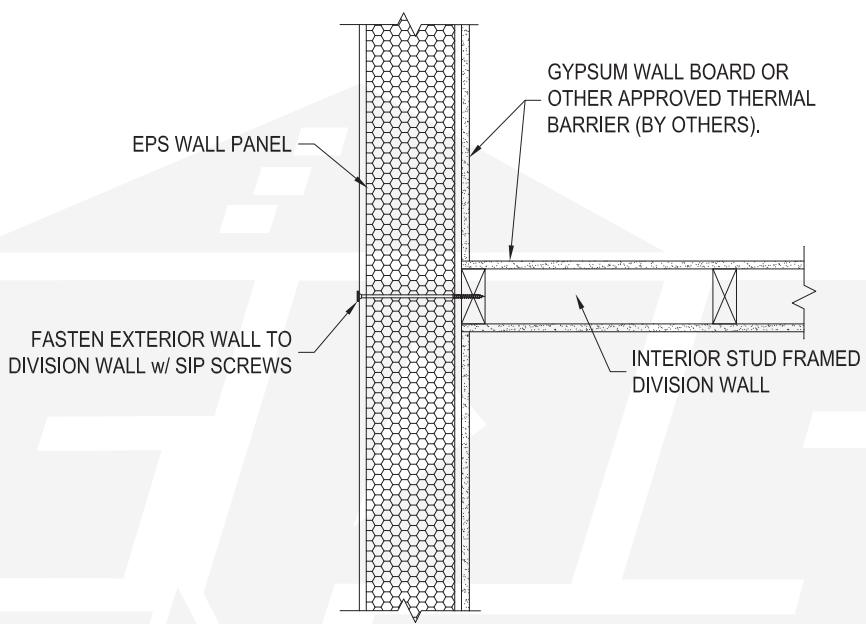
SCALE: N.T.S.

UPDATED: 1/26/16

DETAIL#

PL2

ENERGY PANEL STRUCTURES, 102 EAST INDUSTRIAL PARK, GRAETTINGER, IA 51342
PHONE: (712) 859-3219 FAX: (712) 859-3275 WWW.EPSBUILDINGS.COM



BUILDINGS

NOTE: FLOATING DRYWALL CORNERS ARE RECOMMENDED TO REDUCE POSSIBLE CORNER CRACKING

DETAIL: PANEL TO DIVISON WALL

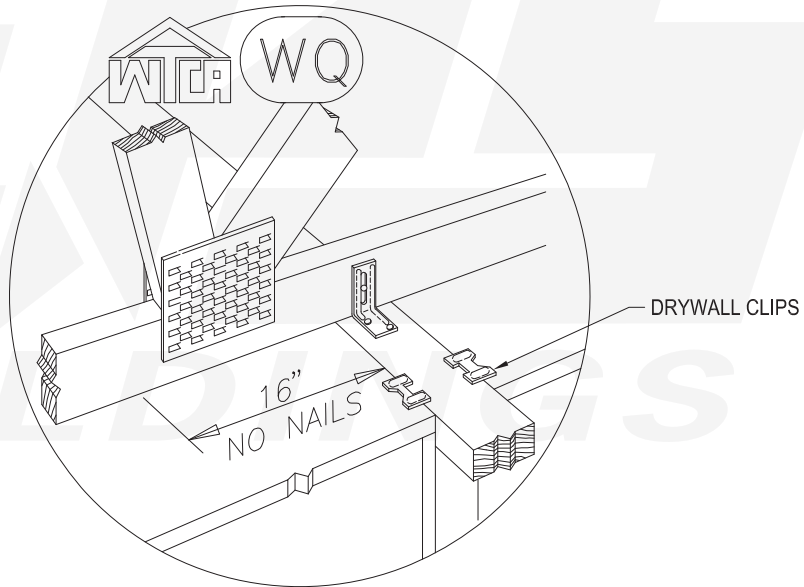
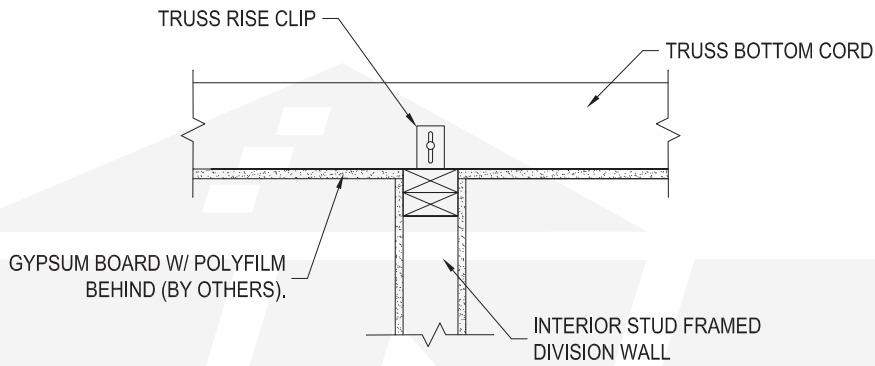
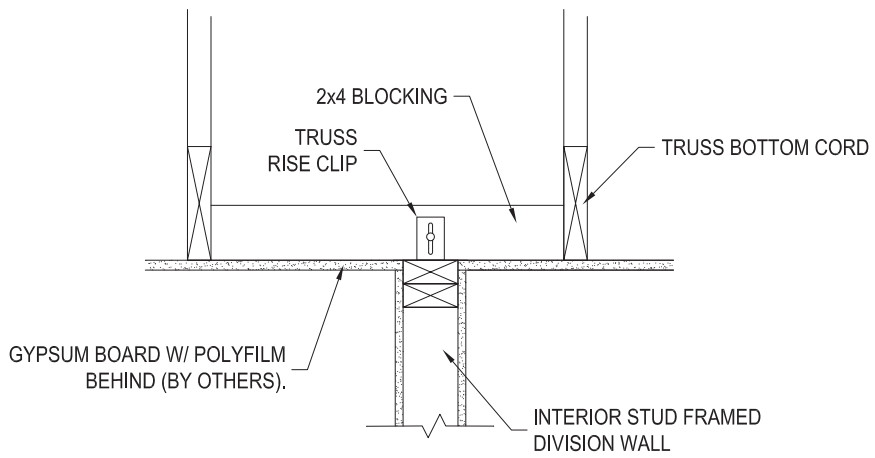
SCALE: N.T.S.

UPDATED: 1/26/16

DETAIL#

DW1

ENERGY PANEL STRUCTURES, 102 EAST INDUSTRIAL PARK, GRAETTINGER, IA 51342
PHONE: (712) 859-3219 FAX: (712) 859-3275 WWW.EPSBUILDINGS.COM



NOTE: DO NOT FASTEN DRYWALL TO BLOCKING OR TRUSS WITHIN 16" OF WALL.



DETAIL: ROOF TRUSS TO DIVISON WALL

SCALE: N.T.S.

UPDATED: 1/26/16

ENERGY PANEL STRUCTURES, 102 EAST INDUSTRIAL PARK, GRAETTINGER, IA 51342
 PHONE: (712) 859-3219 FAX: (712) 859-3275 WWW.EPSBUILDINGS.COM

DETAIL#

DW2